



# INSTALL INSTRUCTIONS

## BFL SERIES STREET LIGHT

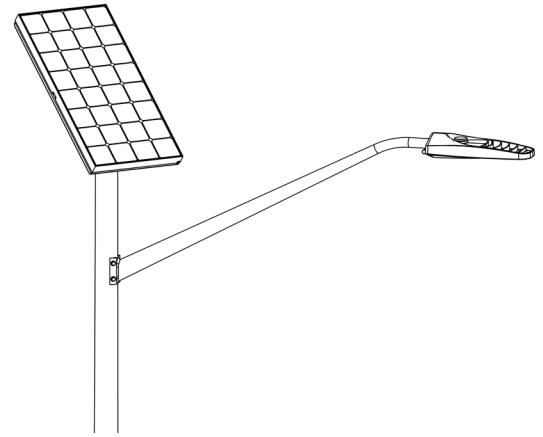
### PRIOR TO INSTALL

Install footing and pole as per specifications. **Warning:** Do not install pole without the BFL.

The following instructions can be completed on the ground or on an installed pole. Ensure install location averages 2 to 3 hours of direct midday sun exposure for best performance. Please handle fixture and solar engine with care as scratches will affect appearance and powder coat durability.

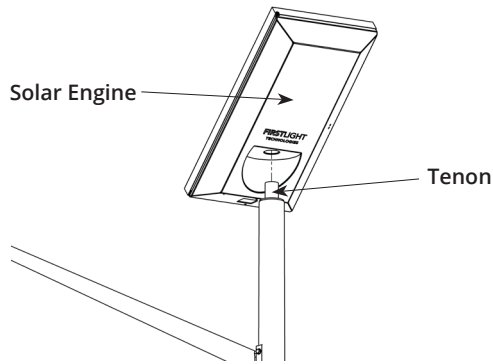
### TOOLS REQUIRED

- 5/32" hex bit
- 9/16" socket
- Torque wrench



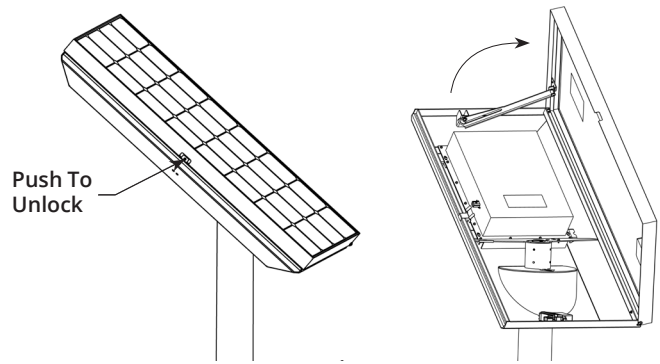
#### 1. PLACE SOLAR ENGINE ON POLE

Ensure to completely insert tenon into the solar engine.



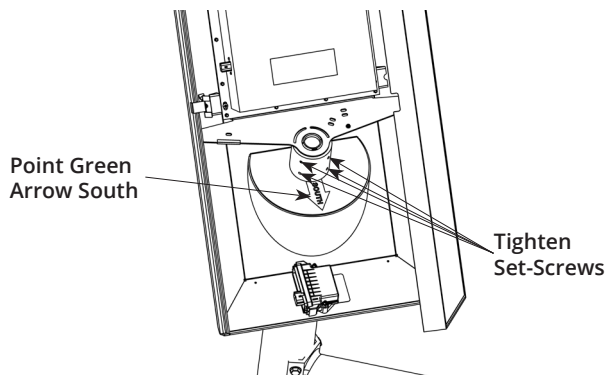
#### 2. OPEN SOLAR ENGINE

Press the blue button on the side to unlock. Once opened, prop stick will automatically engage to keep lid open.



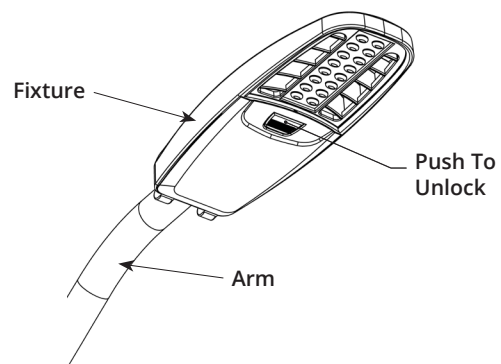
#### 3. AIM AND SECURE SOLAR ENGINE

Rotate solar engine such that the green arrow points south. Use 5/32" bit to torque the 4x set screws to 86 in-lb.



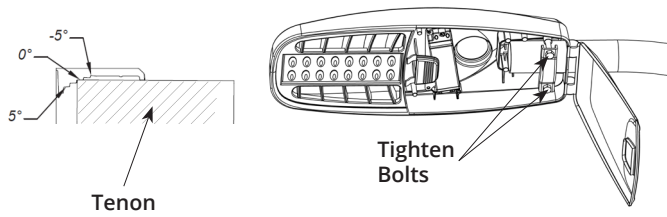
#### 4. PLACE FIXTURE ON ARM AND OPEN FIXTURE

Press the button on the underside of the fixture to unlock.



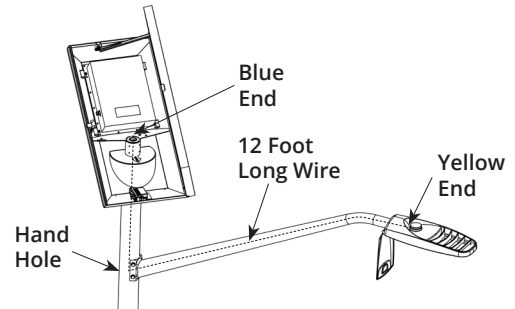
## 5. SET TILT AND SECURE FIXTURE

Position the tenon on the 0° step. Use the 9/16" socket to torque the 2x bolts down to 135 in-lb.



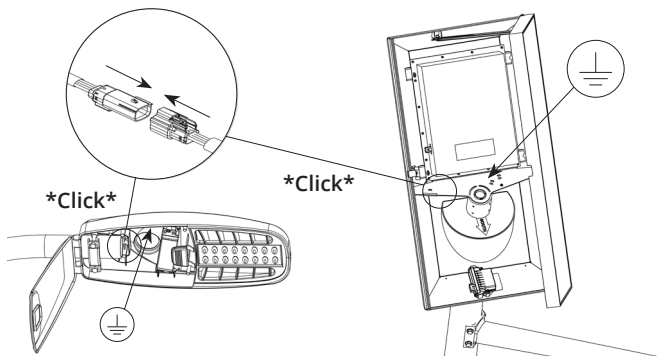
## 6. RUN WIRE THROUGH POLE

Run the 12 foot long wire (included) between the fixture and the solar engine. Ensure the blue end is in the solar engine, and the yellow end is in the fixture. If using a First Light pole (sold separately), there is a rear hand hole to aid in running wires.

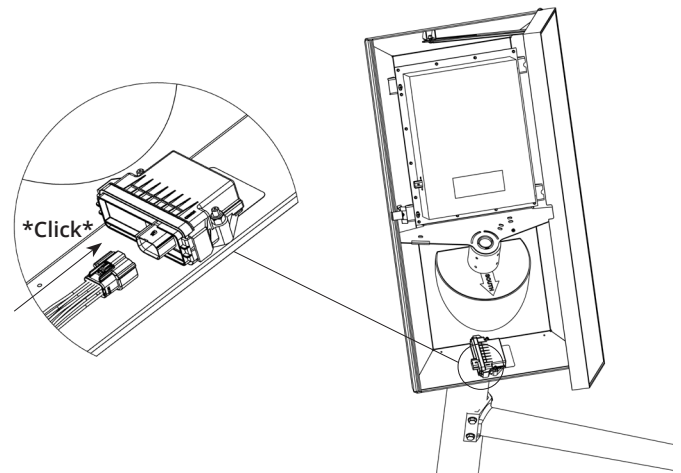


## 7. CONNECT FIXTURE TO SOLAR ENGINE

Connect both ends of the wire from step 6 to the solar engine and the fixture respectively. To ground the system, there is a grounding screw in both the fixture and the solar engine.



## 8. PLUG IN MASTER CONNECTOR

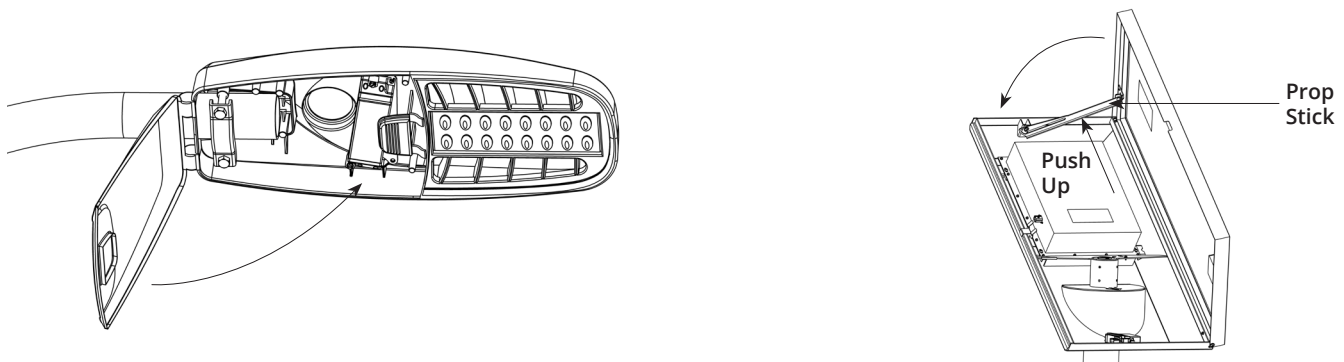


## 9. CONFIRM LIGHT TURNS ON

After being properly connected, there will be a brief pause and then the light will turn on for 20-30 seconds. The light will then begin normal operation. If this does not happen, please call us at 1-844-279-8754 for assistance.

## 10. CLOSE SOLAR ENGINE AND FIXTURE

To close solar engine, push up on the prop stick and close the lid.



## 11. INSTALLATION COMPLETED