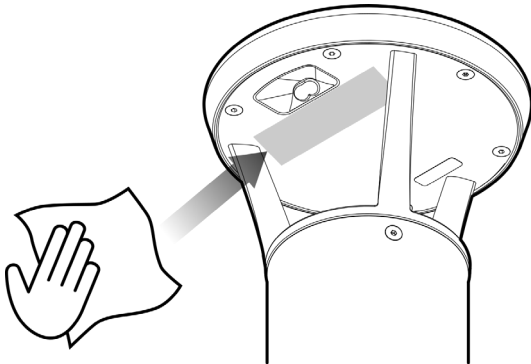


### TOOLS REQUIRED

- Clean damp cloth or alcohol wipes

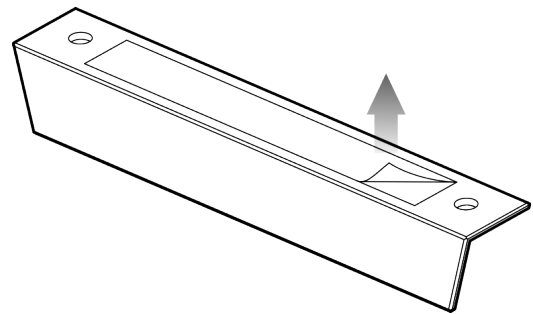
### 1. CLEAN SURFACE

Using a clean damp cloth, alcohol wipes, or other cleaning method, wipe the underside of the PLB as indicated.



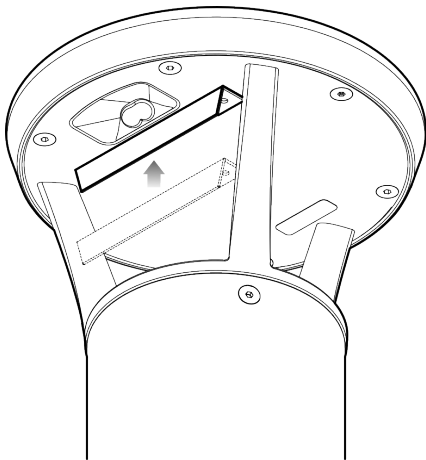
### 2. PEEL FILM OFF TAPE

Carefully peel the protective plastic film off of the double-sided tape on the Backlight Shield.



### 3. ATTACH BACKLIGHT SHIELD

Line up the Backlight Shield with back of the optic. Press firmly along the Backlight Shield for 30 seconds to ensure good adhesion.



### 4. INSTALL COMPLETE

If you require assistance, please call  
1 (844) 279-8754