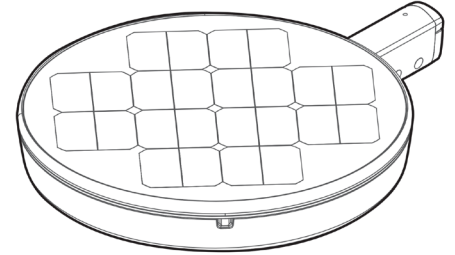


PRIOR TO INSTALL

Warning: Do not install pole without the RSL. The RSL can be mounted on a square pole, or a round pole with at least a 3.5" outer diameter.

Ensure install location receives at least 2 to 3 hours of midday sun for best performance. Install footing and pole as per specifications. Please handle fixture with care as scratches will affect appearance and powder coat durability.

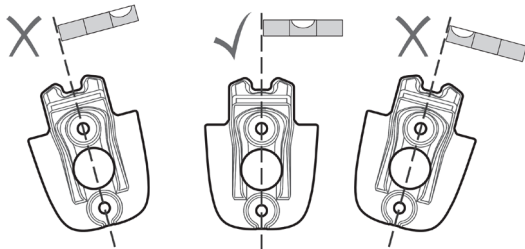


TOOLS REQUIRED

- 7/16 socket
- 5/32 inch hex bit
- Torque wrench

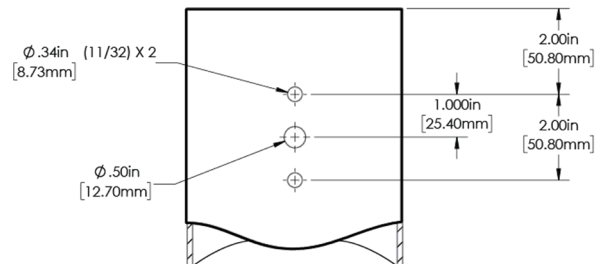
1. IDENTIFY CLEAT LOCATION

Identify cleat mount location on secure vertical surface and place cleat ensuring that the mounting holes are vertical.



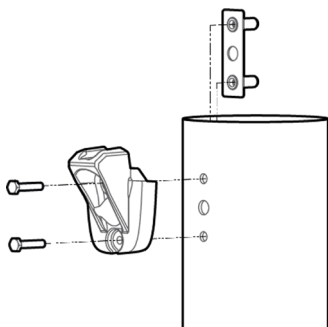
2. DRILL HOLES

If mounting on a pole and it's not pre-drilled, drill holes as shown. Note: The 0.50 inch hole is for a ground wire and is optional.



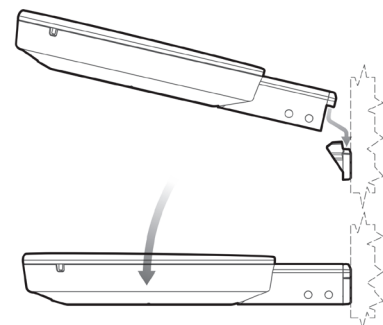
3. SECURE CLEAT

Securely fasten cleat with appropriate anchoring methods to surface using 1/4" fasteners. Torque to between 180-200 in-lbs (20-22 Nm) with 7/16" socket.



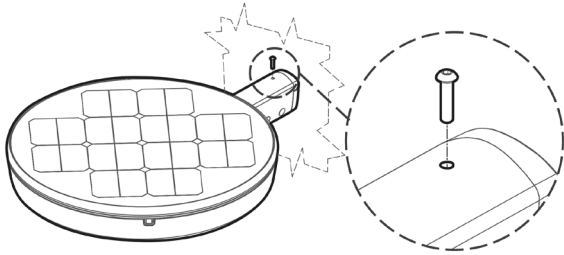
4. MOUNT LUMINAIRE

With the luminaire tilted, approach the cleat from above and hook side arm clip onto the cleat until flush. Transfer the weight of the luminaire onto the cleat and remove grip once connection is secure.



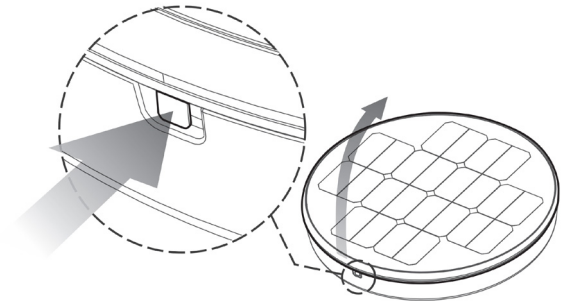
5. SECURE LUMINAIRE

Using the 5/32 hex bit, install the 1/4-20 button head screw in the top of the side arm.



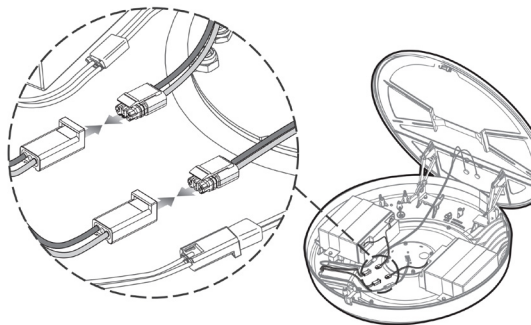
6. OPEN LID

Press blue clasp and then open lid.



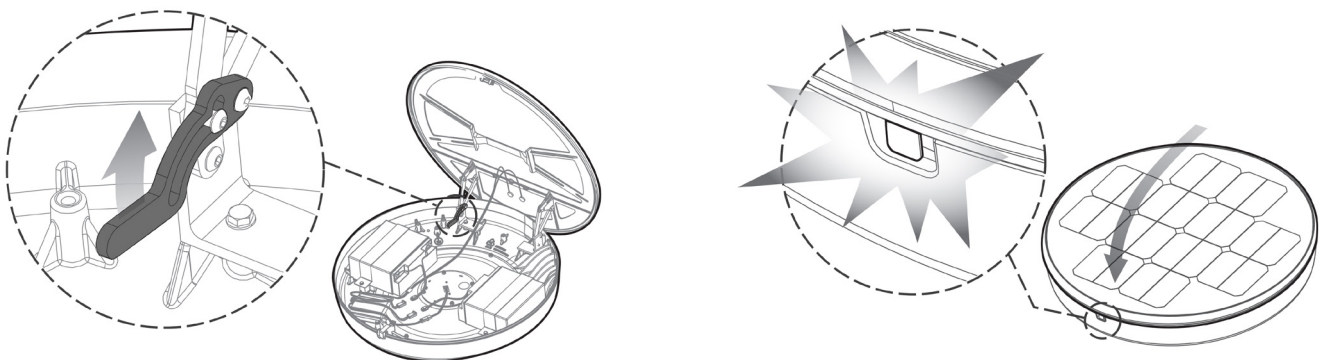
7. CONNECT BATTERIES

Locate two sets of disconnected connectors and connect. Listen for an audible click. After a brief pause, the light will turn on for 20-30 seconds.



8. CLOSE LID

Lift upwards on blue lever to unlock lid. Gently lower lid until blue clasp engages.



9. INSTALL COMPLETE

If you require assistance, please call 1 (844) 279-8754.