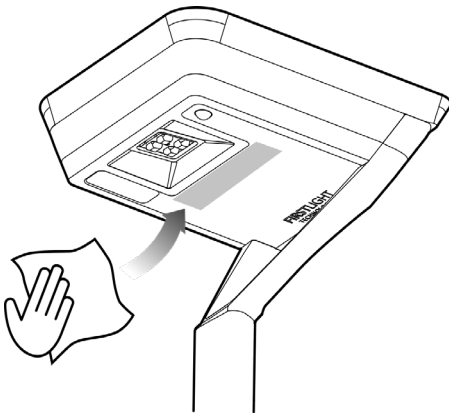


TOOLS REQUIRED

- Clean damp cloth or alcohol wipes

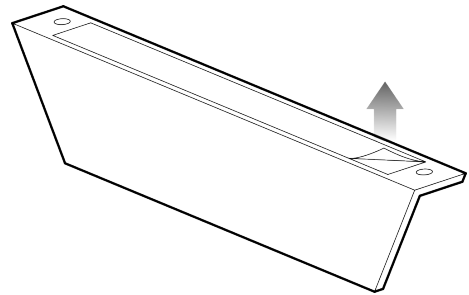
1. CLEAN SURFACE

Using a clean damp cloth, alcohol wipes, or other cleaning method, wipe the underside of the IPL or SCL as indicated.



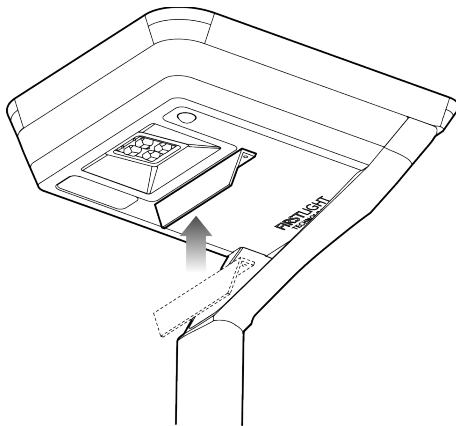
2. PEEL FILM OFF TAPE

Carefully peel the protective plastic film off of the double-sided tape on the Backlight Shield.



3. ATTACH BACKLIGHT SHIELD

Line up the Backlight Shield with back of the optic. Press firmly along the Backlight Shield for 30 seconds to ensure good adhesion.



4. INSTALL COMPLETE

If you require assistance, please call
1 (844) 279-8754