

WARNINGS: PLEASE READ PRIOR TO INSTALLATION

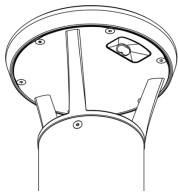
- This product must be installed in accordance with the applicable installation code by a person familiar with the construction and operation of the product and the hazards involved.
- Suitable for wet locations.
- Suitable for mounting within 4ft of the ground.
- To avoid the possibility of electrical shock, turn off power supply before installation or servicing. Qualified personnel should perform installation and servicing.
- When handling, avoid touching the LED's and take care to keep LED lenses clean during installation.
- STRAIN RELIEF IS REQUIRED for supply wiring on the terminal strip in the appropriate section indicated.
- The supply wiring (not included) will be connected directly to the terminal strip. See the appropriate section for the desired method.

AVERTISSEMENTS: VEUILLEZ LIRE AVANT L'INSTALLATION

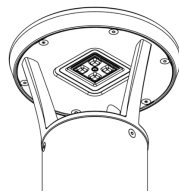
- Ce produit doit être installé conformément au code d'installation applicable par une personne familiarisée avec la construction et le fonctionnement du produit et les dangers encourus.
- Convient aux endroits humides.
- Convient pour un montage à moins de 4 pieds du sol.
- Pour éviter tout risque d'électrocution, coupez l'alimentation électrique avant l'installation ou l'entretien. Un personnel qualifié doit effectuer l'installation et l'entretien.
- Lors de la manipulation, évitez de toucher les LED et veillez à garder les lentilles LED propres pendant l'installation.
- UN DÉTENTE DE DÉTENTE EST REQUIS pour le câblage d'alimentation sur le bornier dans la section appropriée indiquée.
- Le câblage d'alimentation (non inclus) sera connecté directement au bornier. Voir la section appropriée pour la méthode souhaitée.

PLB-AC MODELS

Please refer to the diagram below to identify the model you are installing.



PLB-AC ASYMMETRICAL
(PLB ASM)



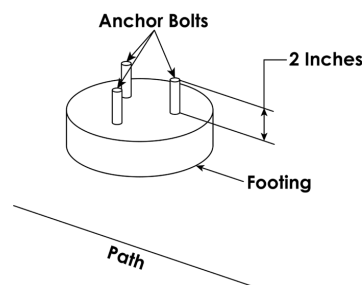
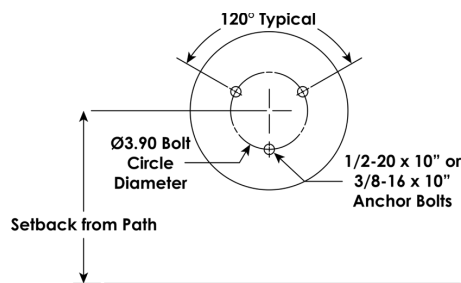
PLB-AC SYMMETRICAL
(PLB SYM)

TOOLS REQUIRED

- 5/32 inch hex key
- Small tip flathead screwdriver
- 3/4 inch wrench or socket
- 9/16 inch wrench

1. INSTALL ANCHOR BOLTS

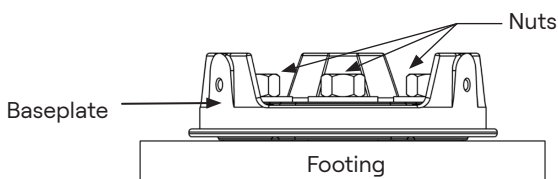
Install concrete footing with supplied anchor bolts in desired location. Use the supplied cardboard template to hold the bolts in position. For asymmetrical bollard, install with a one to two foot setback from path or area to be illuminated. Align anchor bolts to path as shown.



2. INSTALL BASEPLATE

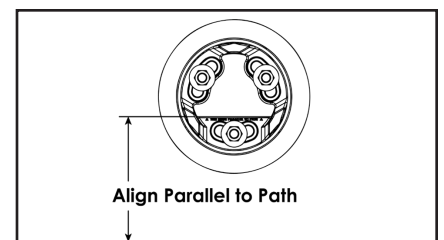
Remove the baseplate from the bottom of the bollard and place it on the footing. Use supplied nuts to secure baseplate to footing.

* Supplied leveling nuts can be placed below the baseplate but are optional.



Note: Baseplate opening accommodates conduit up to a 2" outer diameter.

PLB Asymmetrical Model Only
Ensure base plate is aligned to path as shown.

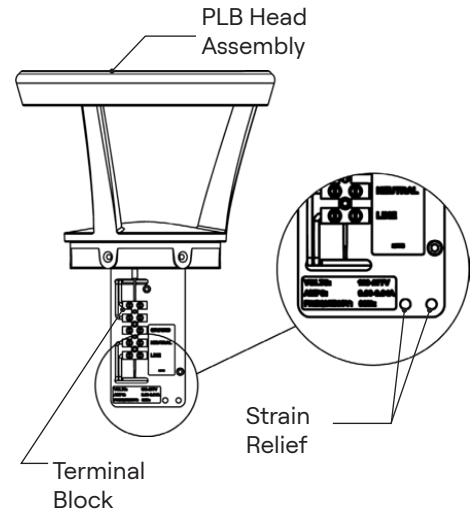
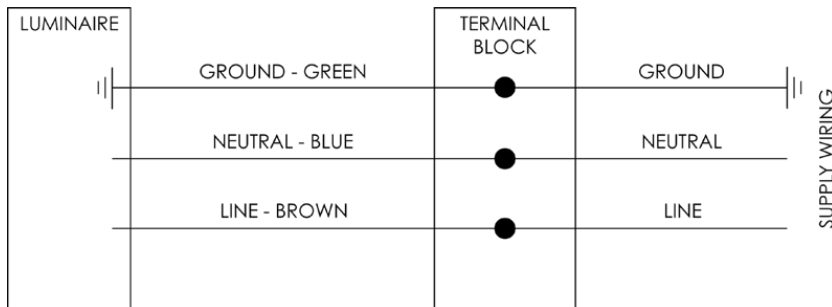


3. MOUNT BOLLARD

Mount the bollard onto the baseplate, with the supplied 1/4 - 20 screws and tighten to 65 in-lbs.

4. WIRE HEAD

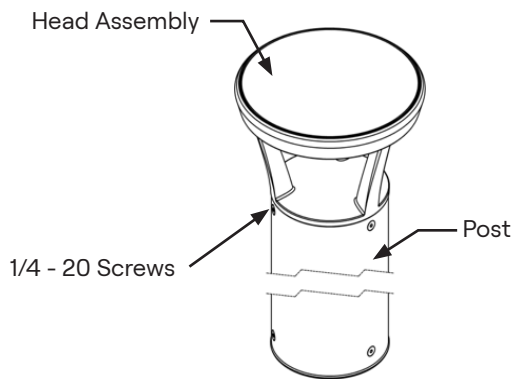
Remove the head of the bollard from the post. Pull wires through the base plate and post. Make wire connections to the terminal block as per the Electrical Connection Diagram below.



1. Connect LINE SUPPLY LEAD to the TERMINAL BLOCK as per label.
2. Connect NEUTRAL SUPPLY LEAD to the TERMINAL BLOCK as per label.
3. Connect GROUND LEAD to the TERMINAL BLOCK as per label.
4. Ensure all screws are tight.
5. Strain relief all wires.

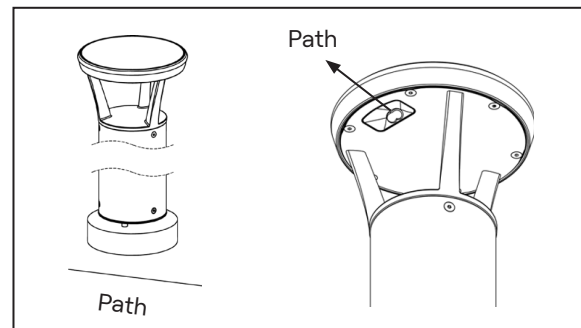
5. PUT BACK HEAD

Place the head back on the post and fasten with the supplied 1/4 - 20 screws and tighten to 65 in-lbs.



PLB Asymmetrical Model Only

Ensure the PLB ASM Optic is facing the pathway.



6. INSTALL COMPLETE

If you require assistance, please call 1 (844) 279-8754.