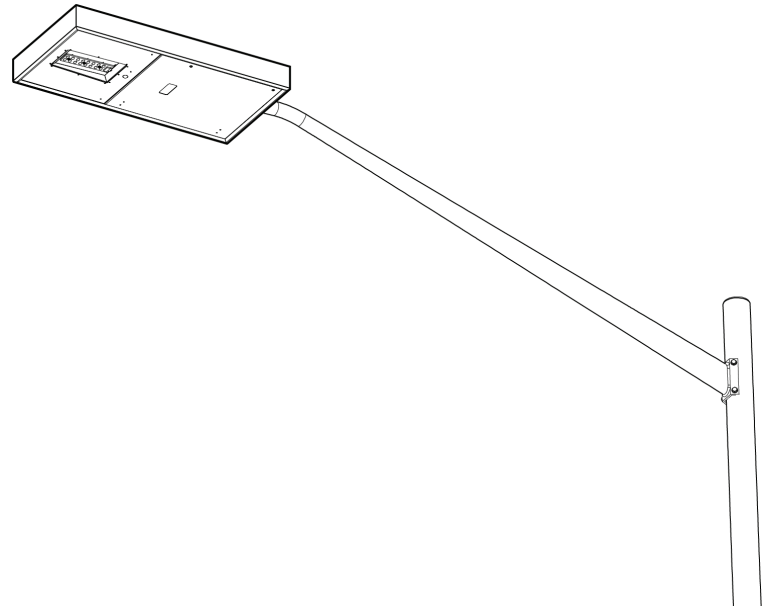


PRIOR TO INSTALL

Install footing and pole as per specifications.

Ensure install location receives at least 2 to 3 hours of midday sun on average. Please handle the product with care as scratches will affect appearance and powder coat durability.



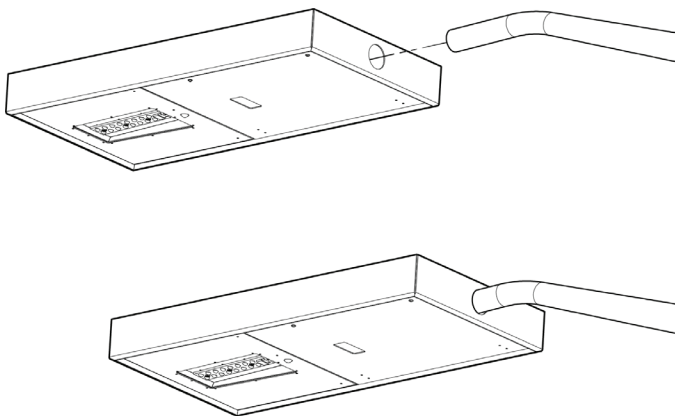
TOOLS REQUIRED

- 1/8" hex driver
- 1/2" socket driver
- 3/8" socket driver
- 7/32" drill bit

1. LIFT LUMINAIRE ONTO TENON

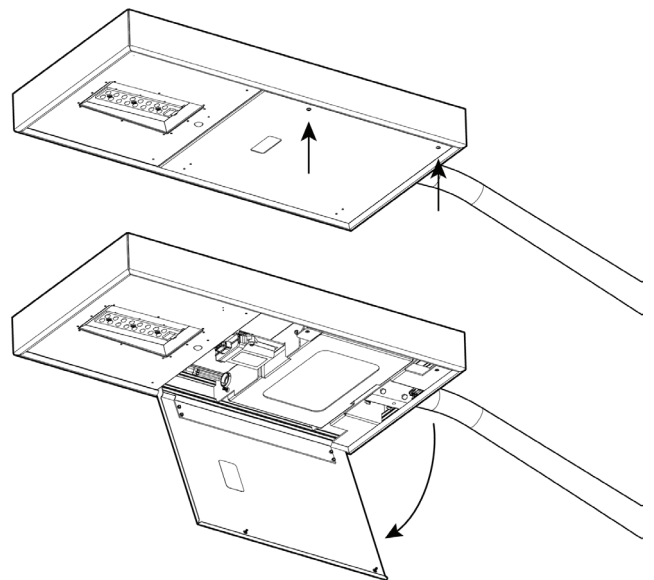
Using two people, slide the luminaire onto 2-3/8" diameter tenon until it bottoms out.

One person should guide the luminaire onto the tenon, while the other person supports the outer end of the luminaire until it has been secured.



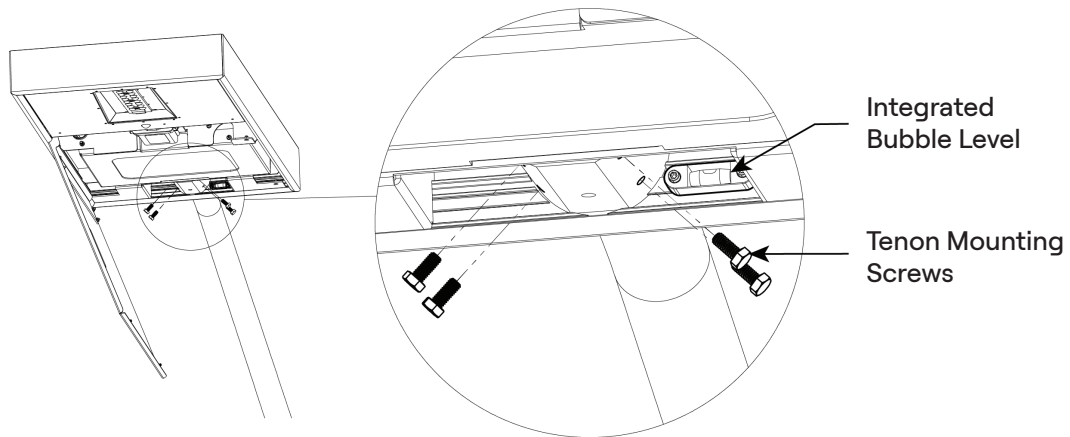
2. OPEN ACCESS DOOR

While maintaining support on the outer end of the luminaire, undo the two screws on the lower door panel using a 1/8" hex driver to release the access door.



3. SECURE LUMINAIRE TO TENON

While maintaining support on the outer end of the luminaire, tighten the 4x tenon mounting screws to 140 in-lb of torque using a 1/2" socket driver. Use the integrated bubble level as a visual guide to ensure the luminaire is level from side-to-side.

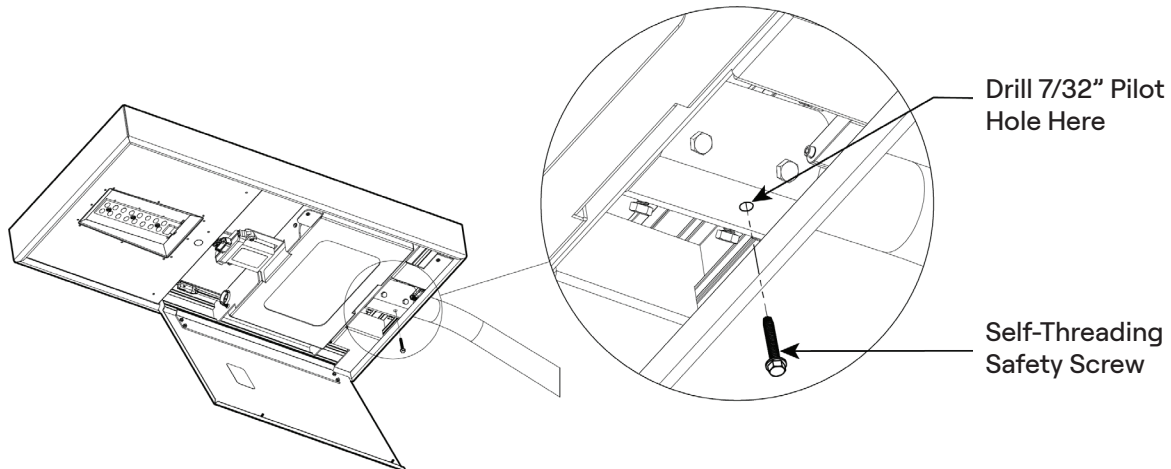


4. DRILL PILOT HOLE FOR SAFETY SCREW

Locate the safety screw clearance hole shown below. Using a 7/32" drill bit, drill a hole through the lower wall of the tenon.

5. INSTALL SAFETY SCREW

Using a 3/8" socket driver, install the supplied self-threading safety screw into the pilot hole until the head sits firmly against the luminaire frame.



6. CLOSE ACCESS DOOR

Push up on the door, aligning the door screws with their respective holes and tighten the screws until the door is securely fastened.

4. INSTALL COMPLETE

If you require assistance, please call
1 (844) 279-8754.