

### PRIOR TO INSTALL

**Warning:** Do not install pole without the IPL.

For optimal performance, install the lights within 6 months of receiving them. Ensure install location receives at least 2 to 3 hours of midday sun for best performance. Install footing and pole as per specifications. Please handle fixture with care as scratches will affect appearance and powder coat durability.

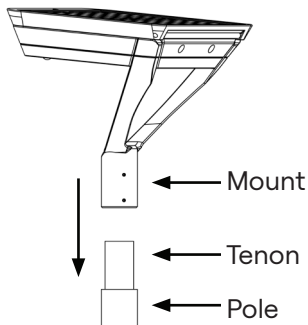


### TOOLS REQUIRED

- 1/8 inch hex key
- Torque wrench (optional)

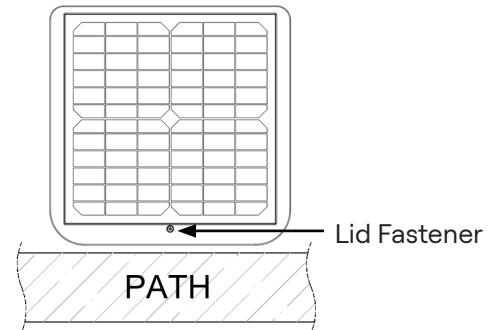
### 1. UNPACK AND MOUNT ON POLE

Remove light from box and place on top of the pole, sliding the mount over the tenon



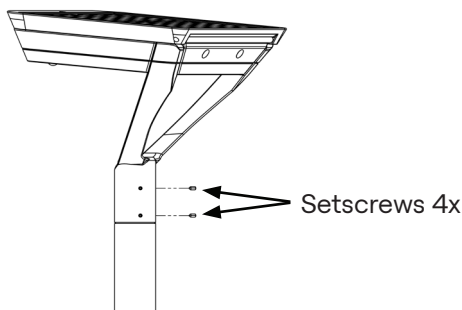
### 2. ORIENT TO PATH

Orient the light with respect to the path as shown



### 3. TIGHTEN SCREWS

Tighten 4 setscrews with 1/8" hex to snug (65 in-lb if using a torque wrench).



### 4. INSTALLATION COMPLETE

Once the solar panel receives light for the first time, the light will flash briefly then return to its normal operating profile. If this does not happen, please call us at 1 (844) 279-8754 for assistance.