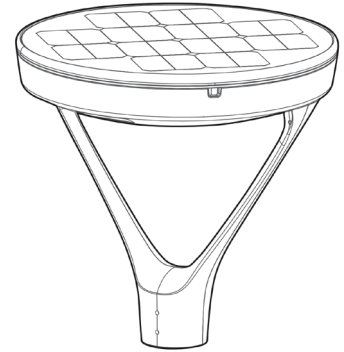


PRIOR TO INSTALL

Warning: Do not install pole without the RSL. The RSL Pole Top Mount can be mounted on a 2 3/8" vertical tenon with length 3" to 4".

For optimal performance, install the lights within 6 months of receiving them. Ensure install location receives at least 2 to 3 hours of midday sun for best performance. Install footing and pole as per specifications. Please handle fixture with care as scratches will affect appearance and powder coat durability.

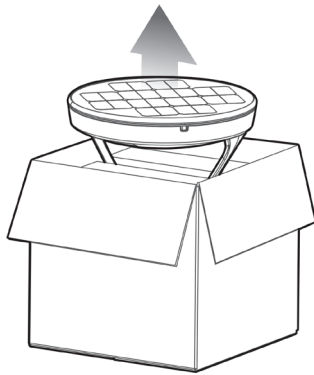


TOOLS REQUIRED

- 5/32 inch hex bit

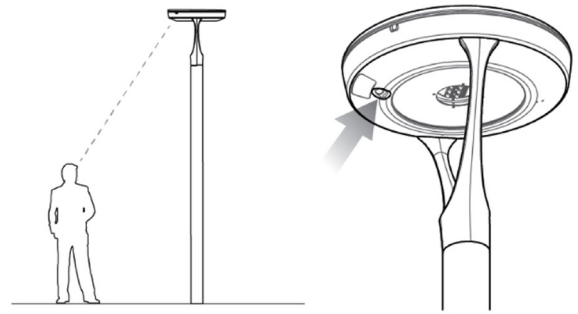
1. UNPACK

Lift product straight upwards out of packaging.



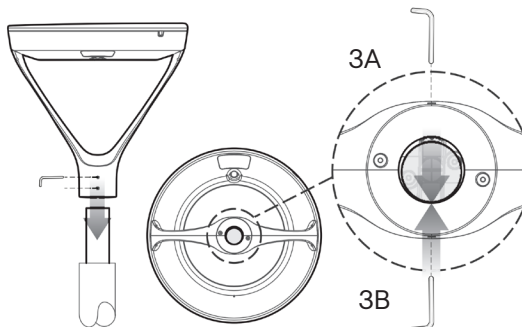
2. PLAN TO ALIGN MOTION SENSOR

Plan to align the motion sensor window with the pathway to be illuminated.



3. MOUNT LUMINAIRE

Place the luminaire assembly onto the vertical tenon and tighten set screws onto tenon using one side first (3A), then the other side of the tenon (3B).



4. INSTALLATION COMPLETE

Once the solar panel receives light for the first time, the light will flash briefly then return to its normal operating profile. If this does not happen, please call us at 1 (844) 279-8754 for assistance.