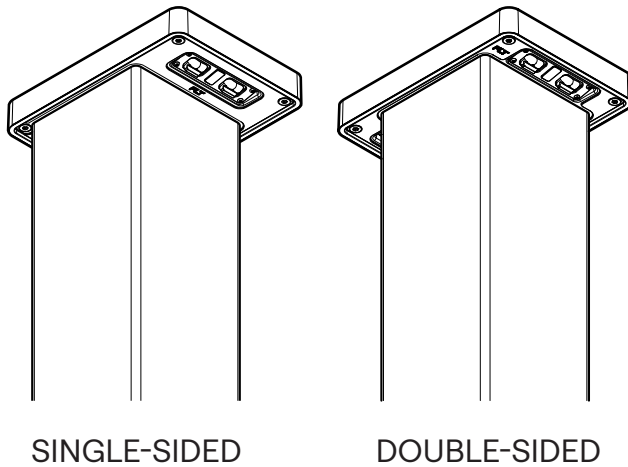


### PRIOR TO INSTALL

For optimal performance, install the lights within 6 months of receiving them. Ensure install location receives at least 2 to 3 hours of midday sun on average. Please handle bollard with care as scratches will affect appearance and powder coat durability.

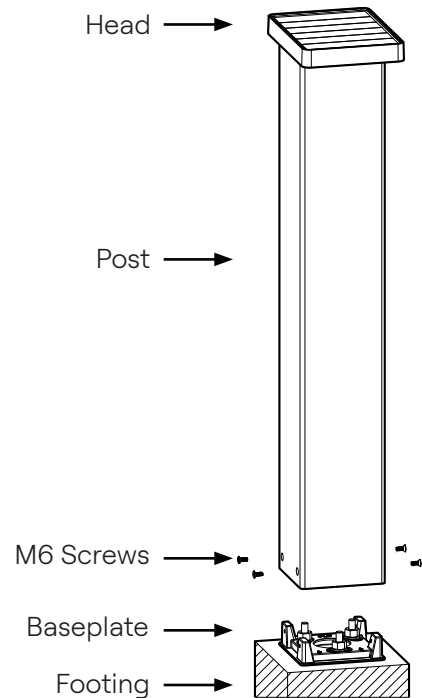
### VEGA BOLLARD MODELS

The Vega Bollard is available in two base configurations: Single-Sided and Double-Sided. The installation process is the same for both models.



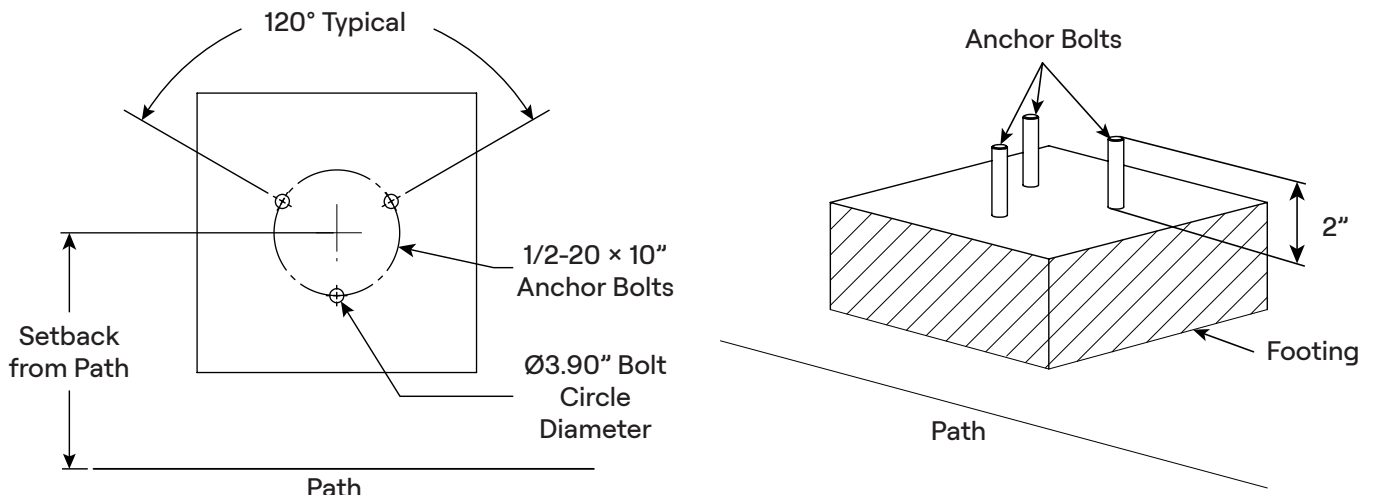
### TOOLS REQUIRED

- T30 security torx driver (provided)
- 3/4 inch wrench or deep socket



### 1. INSTALL ANCHOR BOLTS

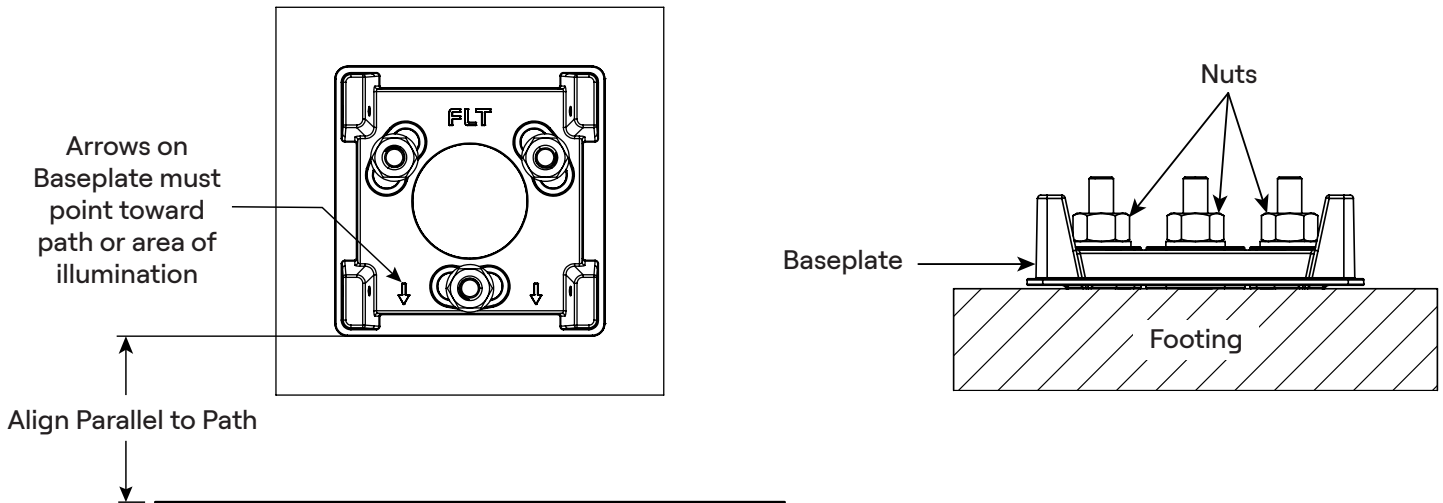
With a one-to-two foot setback from the path or area to be illuminated, install concrete footing with supplied anchor bolts. Align anchor bolts to path as shown below using the supplied cardboard template to hold the bolts in position.



### 2. INSTALL BASEPLATE

Unpack baseplate and place on footing. Use supplied nuts to secure baseplate to footing.

*\* Supplied leveling nuts can be placed below baseplate but are optional.*



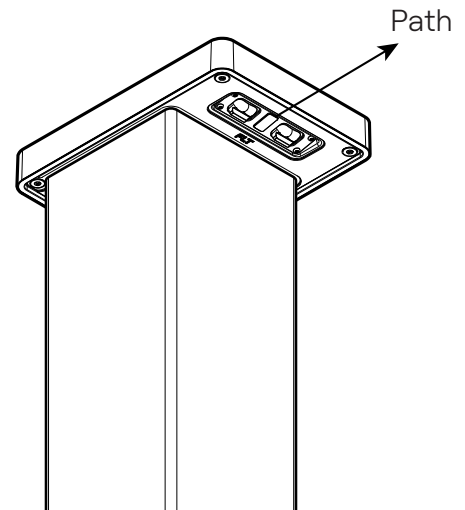
### 3. MOUNT BOLLARD

Mount the bollard onto the baseplate and fasten with the 4x supplied screws using the supplied T30 tamper-resistant torx driver, and tighten to 65 in-lbs.

Remove the cardboard cap from the bollard head. (Note: when the cardboard cap is removed, the light will turn on briefly. This is normal.)

To test light operation, simply shade the solar panel with the cardboard cap. If the light comes on when the panel is covered, the light is working correctly.

Ensure the optic is facing the pathway or desired area of illumination.



### 4. INSTALL COMPLETE

If you require assistance, please call 1 (844) 279-8754.