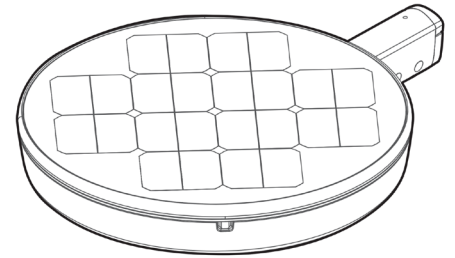


### PRIOR TO INSTALL

**Warning:** Do not install pole without the RSL. The RSL can be mounted on a square pole, or a round pole with at least a 3.5" outer diameter.

For optimal performance, install the lights within 6 months of receiving them. Ensure install location receives at least 2 to 3 hours of midday sun for best performance. Install footing and pole as per specifications. Please handle fixture with care as scratches will affect appearance and powder coat durability.

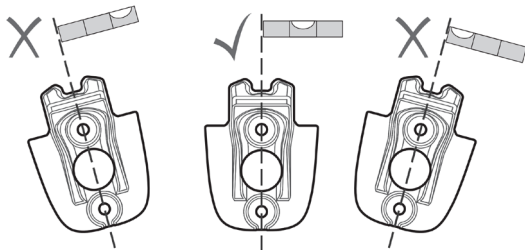


### TOOLS REQUIRED

- 7/16 socket
- 5/32 inch hex bit
- Torque wrench

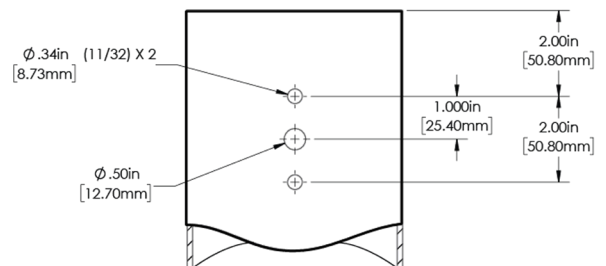
### 1. IDENTIFY CLEAT LOCATION

Identify cleat mount location on secure vertical surface and place cleat ensuring that the mounting holes are vertical.



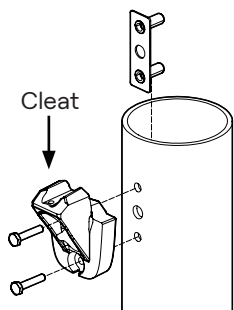
### 2. DRILL HOLES

If mounting on a pole and it's not pre-drilled, drill holes as shown. Note: The 0.50 inch hole is for a ground wire and is optional.

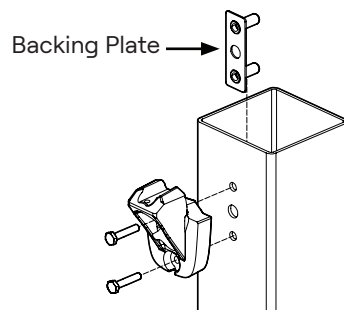


### 3. SECURE CLEAT

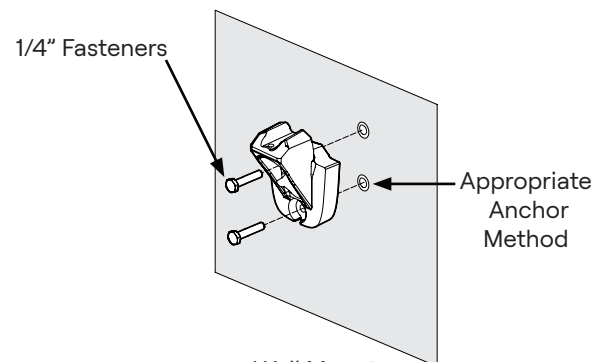
Securely fasten cleat with appropriate anchoring methods to surface using 1/4" fasteners. Torque to between 180-200 in-lbs (20-22 Nm) with 7/16" socket.



Round Pole:  
Minimum Diameter  
3.5 in



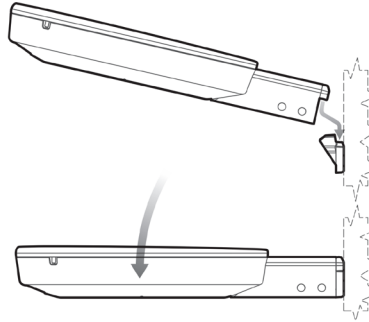
Square Pole:  
Minimum 3 in



Wall Mount

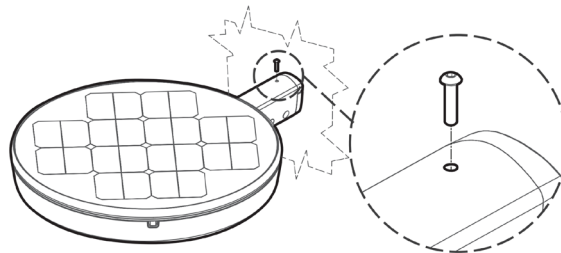
### 4. MOUNT LUMINAIRE

With the luminaire tilted, approach the cleat from above and hook side arm clip onto the cleat until flush. Transfer the weight of the luminaire onto the cleat and remove grip once connection is secure.



### 5. SECURE LUMINAIRE

Using the 5/32 hex bit, install the 1/4-20 button head screw in the top of the side arm.



### 6. INSTALLATION COMPLETE

Once the solar panel receives light for the first time, the light will flash briefly then return to its normal operating profile. If this does not happen, please call us at 1 (844) 279-8754 for assistance.