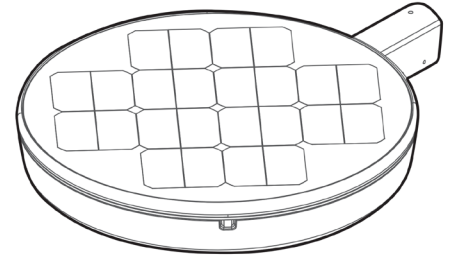


PRIOR TO INSTALL

Warning: Do not install pole without the RSL.

For optimal performance, install the lights within 6 months of receiving them. Ensure install location receives at least 2 to 3 hours of midday sun for best performance. Install footing and pole as per specifications. Please handle fixture with care as scratches will affect appearance and powder coat durability.

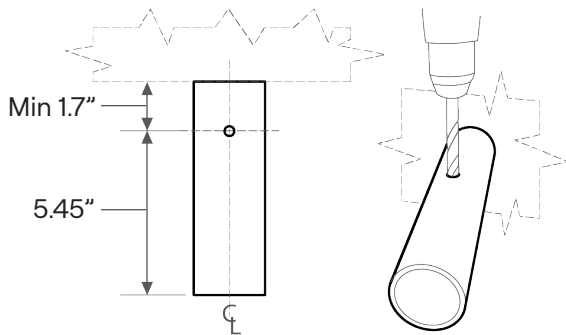


TOOLS REQUIRED

- 1/8 inch hex bit
- 3/8" (9.5mm) drill bit
- Drill
- Level
- Tape measure

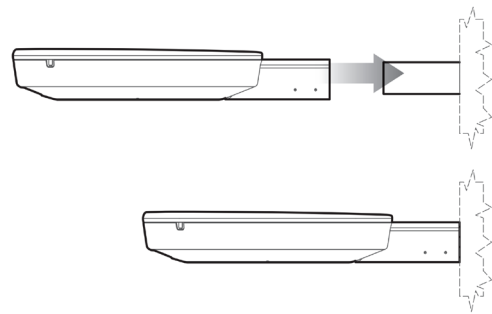
1. DRILL SECURING PIN HOLE

Drill a 5/16-3/8" (8-9.5mm) hole in top of tenon as indicated. Hole must be along centerline and is only needed on the upper surface.



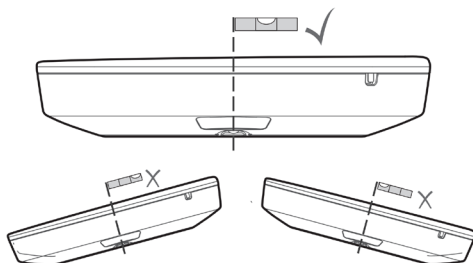
2. MOUNT LUMINAIRE

Slide the luminaire onto a 2-3/8" diameter tenon until the tenon is full depth and comes to stop against the interior stop of the luminaire.



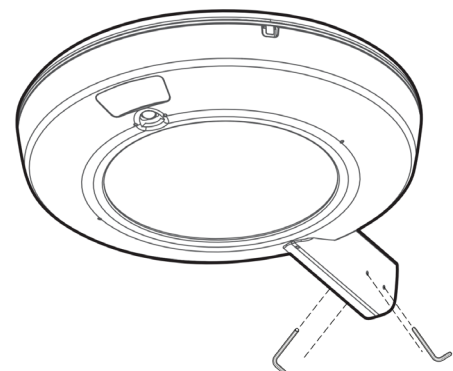
3. LEVEL LUMINAIRE

Use a level on the BOTTOM of the luminaire to ensure the LEDs point straight downwards. The lid has a 2° tilt to allow rain and snow to slide off, do not level from this surface.



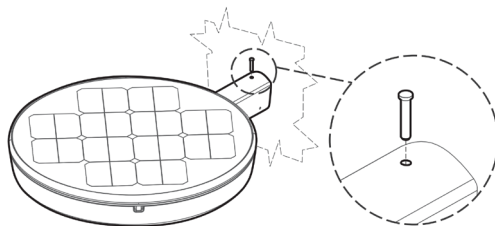
4. SECURE LUMINAIRE

Using the 1/8" hex bit, tighten 4 set screws (2 on each side of the mounting arm) until the luminaire is secure.



5. INSERT SECURING PIN

Insert the securing pin in the top hole of the side arm until the head of the pin comes to rest against the top of the side arm.



6. INSTALLATION COMPLETE

Once the solar panel receives light for the first time, the light will flash briefly then return to its normal operating profile. If this does not happen, please call us at 1 (844) 279-8754 for assistance.