

## BFL Deco

The BFL Deco is a great fit where attractive architectural lighting is required. With FLT's exclusive Adaptive Intelligence, the BFL Deco provides dependable illumination throughout the night, regardless of weather conditions or geographic location. This highly efficient system integrates the most advanced solar and battery technologies for a highly effective, dependable, and rugged solution. With no need to trench or pull electrical wiring, the BFL Deco is an elegant, extraordinarily cost-effective solution.

### Features and Benefits

- No wiring, trenching, or electrical service required
- Cost-effective design installs in minutes
- No ongoing maintenance
- Provides programmed illumination all night, every night
- Time-of-night lighting profile options available
- Wireless control & communication with your light

### Key Applications

- Streetlight, Parking Lot, Area

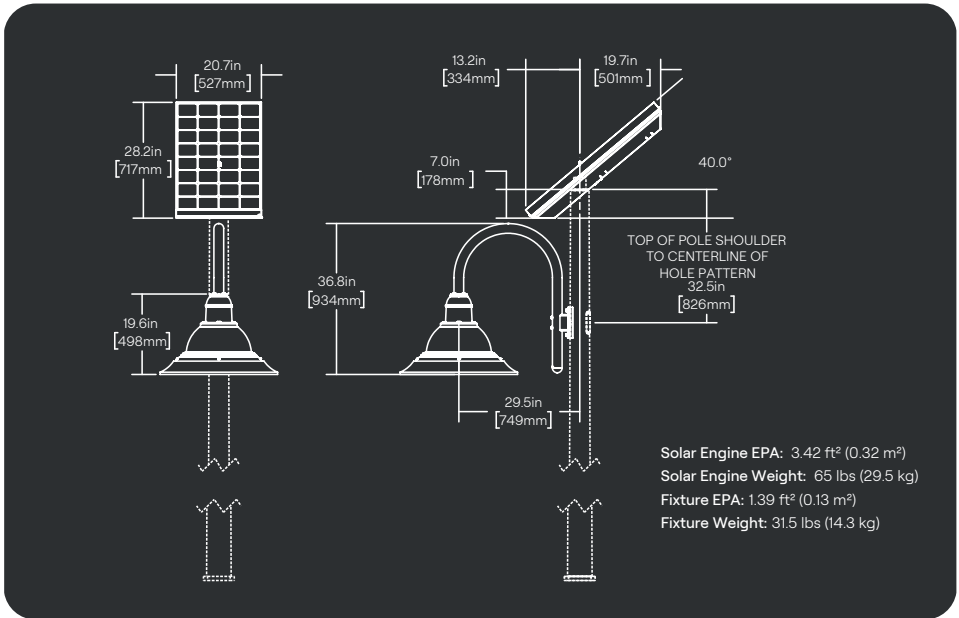
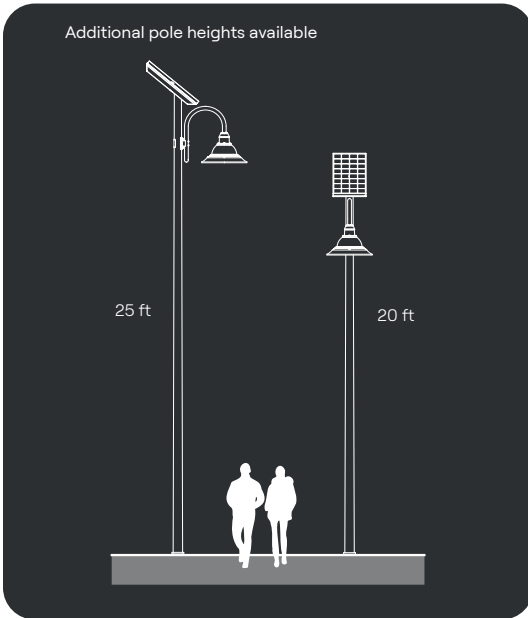


### Technical Specifications

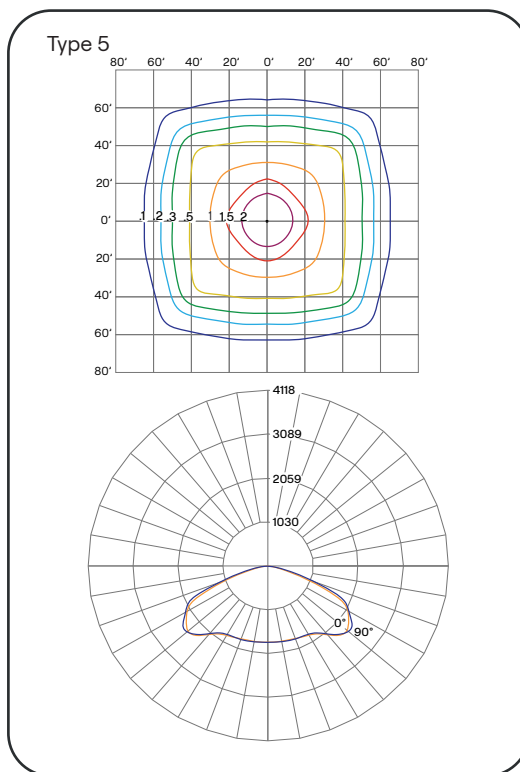
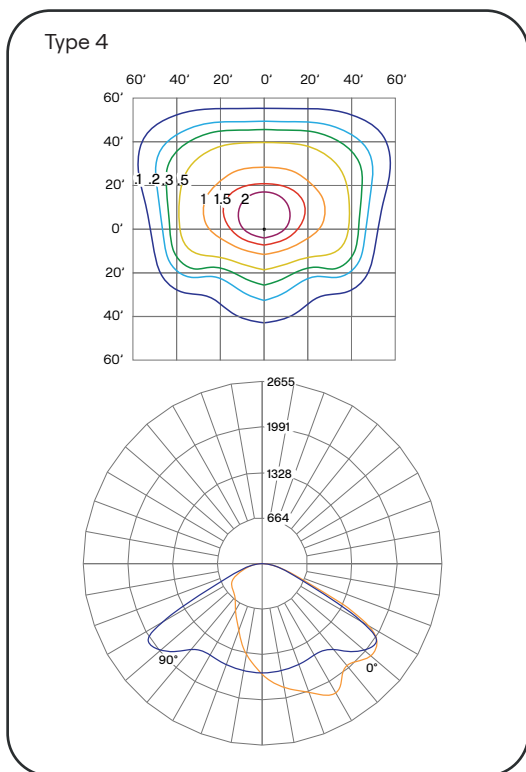
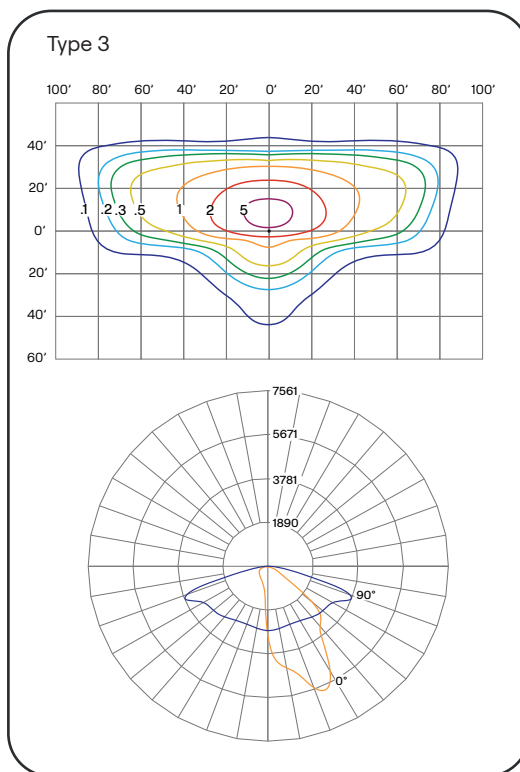
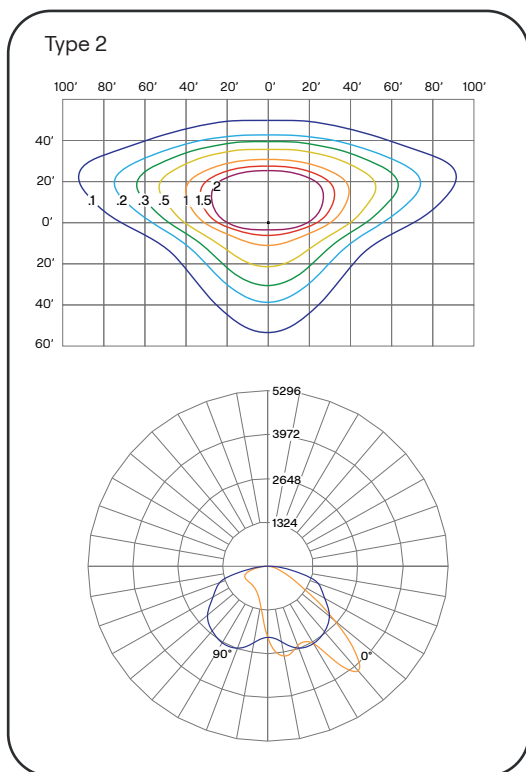
Solar Module	<ul style="list-style-type: none"> <li>• Industry's most efficient solar panel technology</li> <li>• Active cell technology optimizes power generation even when partially blocked</li> </ul>	FLT's Exclusive Controller with Adaptive Intelligence	<ul style="list-style-type: none"> <li>• Ensures all-night every-night performance by intelligently managing lighting based on environmental conditions and lighting requirements</li> <li>• Smart dusk/dawn detection synchronizes lights across installation using astronomical calculations</li> <li>• Automatically detects its timezone and sets its time for time-of-night profiles</li> <li>• High-efficiency, Maximum Power Point Tracking (MPPT) battery charger</li> <li>• High-efficiency integrated LED driver</li> <li>• On-board multi-year data logging</li> </ul>
Battery	<ul style="list-style-type: none"> <li>• High performance Lithium Iron Phosphate (LiFePO4)</li> <li>• Exceptional 10+ year life</li> <li>• High and low temperature tolerance</li> <li>• Integrated within solar engine housing</li> </ul>	Construction & Materials	<ul style="list-style-type: none"> <li>• Marine-grade aluminum chassis &amp; die-cast luminaire</li> <li>• Stainless steel fasteners</li> <li>• Architectural grade powder coat rated to super-durable AAMA 2604 specifications</li> <li>• Standard and custom colours available</li> </ul>
Luminaire	<ul style="list-style-type: none"> <li>• Integrated optics maximize application efficiency and light distribution</li> <li>• CCT Options: 4000K, 3000K, 2700K</li> <li>• High-efficiency type 2, 3, 4, 5 optics</li> <li>• High-efficiency integrated LED driver</li> </ul>	Wireless Control	<ul style="list-style-type: none"> <li>• Easy-to-use interface via iOS smartpone app</li> <li>• Configure and control lighting profiles</li> <li>• Adjust dusk and dawn thresholds</li> </ul>
Optical Performance	<ul style="list-style-type: none"> <li>• Achieves standards with typical output of 6400 lumens</li> <li>• &gt;60,000-hour LED L70 lifetime</li> <li>• Darksky Compliant options available</li> <li>• B2 – U0 – G1 BUG Rating</li> </ul>	Reliability & Warranty	<ul style="list-style-type: none"> <li>• Tested for high &amp; low heat and humidity</li> <li>• 5-year warranty</li> <li>• 10+ year battery life</li> <li>• Designed and manufactured in North America</li> </ul>
Lighting Profiles	<ul style="list-style-type: none"> <li>• 11 duration-based profiles</li> <li>• Easily configurable, time-of-night profiles</li> <li>• All profiles pre-programmed or field adjustable</li> </ul>		

# Order Matrix

Series	Finish	Lighting Profiles	Luminaire				
			Light Fixture	Mounting	Distribution	LED Colors	Options
BFL_DEC	BK - Black	00 - On at dusk > Off at dawn	BELL - Bell	SH - Shepherd Hook	T2 - Type 2	XW - 2700K	BLS - Backlight Shield
	BZ - Bronze	01 - On at dusk > Off after 6 hours		NA - No Arm	T3 - Type 3	WW - 3000K	
	CC- Custom Color	02 - On at dusk > Dim to 30% after 6 hours > Off at dawn			T4 - Type 4	NW - 4000K	
		03 - On at dusk > Off after 5 hours > On 1 hour before dawn > Off at dawn			T5 - Type 5		
		04 (Default) - On at dusk > Dim to 30% after 5 hours > Brighten to 100% 1 hour before dawn > Off at dawn					
		05 - On at dusk > Off after 3 hours					
		06 - On at dusk > Off after 4 hours					
		07 - On at dusk > Off after 4 hours > On 1 hour before dawn > Off at dawn					
		09 (Default) - On at dusk > Dim to 30% after 3 hours > Brighten to 100% 1 hour before dawn > Off at dawn					
		10 - On 30% at dusk > Off at dawn					
		TM2200B0600 - On at dusk > dim to 50% at 10:00pm > brighten to 100% at 6:00am > off at dawn (Default)					
		TX0000X0000 - T = Real-time based lighting profile. X= choose O for off, L for Low (30%) or M for Medium (50%) or B for Bright. 0000 = choose event time between 00:00 and 23:59. Second event optional.					



# Photometrics



**Notes:**

1. All plots are calculated using 6400 lumens at 4000K color temperature
2. Illuminance plots are in foot candles and based on 25 ft mounting height
3. Polar candela plots are for the 0° and 90° Vertical Planes
4. Specifications subject to change without notice
5. IES files available at [fft.com](http://fft.com)

