

**Canadian Owned, Globally  
Inspired, *Expertly Built.***



WELCOME HOME

# Selecting Windows & Doors *Should Be A Breeze*



## For Home Builders, Buyers, & Owners

Increase the beauty and performance for any project with ease.

### Request A Quote

613-724-1855

info@relmfinestra.com

**relmfinestra.com**



# Our Story

We're raising the standard of beauty and performance by offering Canadians quality European craftsmanship.

From idea to reality, we source the highest quality windows and doors, shipped right to your home or project.

## Style For *Any Taste*

From uPVC, aluminum, and aluminum-clad wood, not only are the options plenty and beautiful, but they stand up to Canadian climates across the nation.

## Founded By *A Builder*



RELM Finestra was founded by Michael Mazzaello, owner of RELM Builders. As an experienced home builder, his mission is to make it easier for Canadians to source unique and high-performing products that elevate your home.

RELM Builders winner of multiple prestigious awards including GOHBA Housing Design winner 2022 and Arch Daily Nominee 2024





*Enhance*  
**Your Living**



*Embrace The Comfort*  
**Of Your Home**

With quality-crafted windows and doors, you can enjoy reduced drafts and stable indoor climate.



*Reduce The Cost*  
**Of A Good Life**

Our products optimize heating and cooling costs by effectively sealing your property.



*Increase The*  
**Value of Your Property**

Whether building new or remodeling, you will dramatically increase the curb appeal of your property.





### uPVC

uPVC windows offer excellent energy efficiency, low maintenance, low noise, high durability, and security. They stand up to tough Canadian climates.

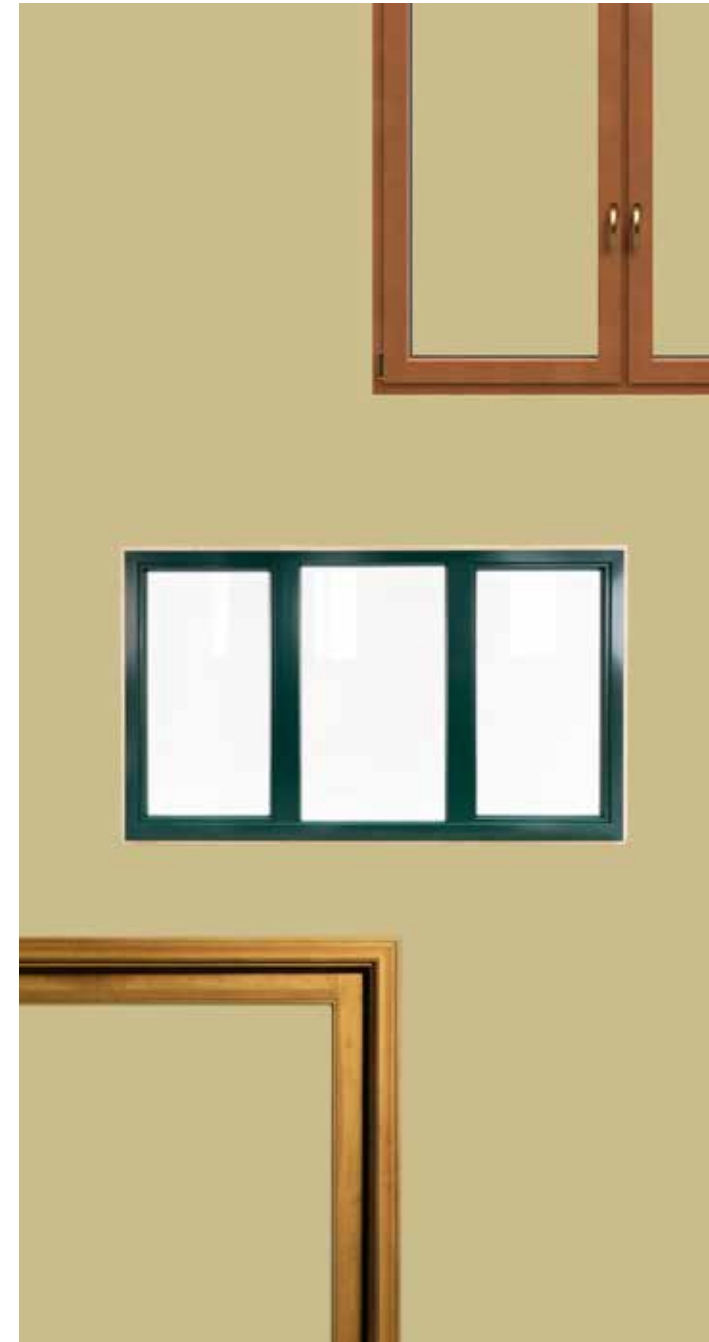
### Aluminum

Aluminum windows are durable, resisting rot, warping, and rust. Expect a long lifespan and low maintenance with sleek and modern aesthetics to suit any project or build.



### Aluminum-Clad Wood

Aluminum-clad wood windows offer a durable, low-maintenance exterior combined with the natural beauty of a wood interior, providing excellent weather resistance, energy efficiency, and long-term value with a traditional look.



### Windows

We specialize in European craftsmanship and aesthetic with the integrity and quality necessary to handle Canadian climates.



### Doors

Our door selection is like no other, combining the look and quality of European innovations with the durability needed for unique Canadian seasons.



**Let's Get  
Started**



**1**

### **Choose A Performance Tier**

Performance is important, especially when balancing budget with quality. Our products are curated to offer the best performance to meet every budget and project need.

**2**

### **Choose A Material**

Each material has its own benefits from cost to energy efficiency and aesthetics.

**3**

### **Choose An Opening Style**

A variety of factors that influence the right opening style. From air flow, weather protection, amount of natural light and more, each style offers a different look and experience.

**4**

### **Choose Door & Window Handles & Fittings**

Options include durable and aesthetically designed handles and fittings for your doors and windows. We work with a variety of partners to offer a range for every project to meet your personal preference.





# Window *Profiles*



Compare materials and gauge which is best for your project.

Material	Best for	Cost	Durability	Standard	Standard
<b>uPVC</b>	Budget & Performance	\$	Good	Clean & Simple	Low
<b>Aluminum</b>	Modern Luxury	\$\$-\$\$\$	Excellent	Slim & Sharp	Low
<b>Aluminum-Clad wood</b>	Premium Traditional	\$\$\$	Excellent	Warm & Natural Interior	Medium

**We Can Supply Passive-Ready In Every Material.**

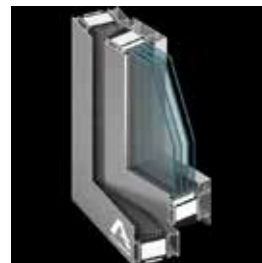
UPVC



**VEKA Softline 82 Passivhaus**

Exceptional insulation and energy efficiency.

ALUMINUM



**Aluprof MB-104 Passive**

The highest level of thermal insulation.

WOOD-ALUMINUM



**Bertrand Alutrend Passive**

Advanced wood-aluminum system for passive housing.



**Standard**

Standard profiles balance cost with performance and are suitable for the budget-conscious projects looking to elevate without breaking the bank.

**MB-79N uPVC**

A standard aluminum system and bestseller in the Aluprof range.

**Decco 82 Aluminium**

Modern aesthetic design with a unique character.

**Premium**

Premium profiles bring a little more quality and style for those with mid-range budgets seeking reliable systems with low maintenance and high performance.

**MB-86N uPVC**

The choice for higher energy efficiency.

**Veka Softline 82 MD Aluminium**

Passive-ready and highly insulated.

**Bertrand Synergic Aluminium-Clad Wood**

High-end design with exceptional functionality.

**Luxury & Architectural**

Luxury and architectural profiles are great for projects seeking the highest performance without much concern for cost.

**MB Slimline uPVC**

Ideal for renovation and modernization projects.

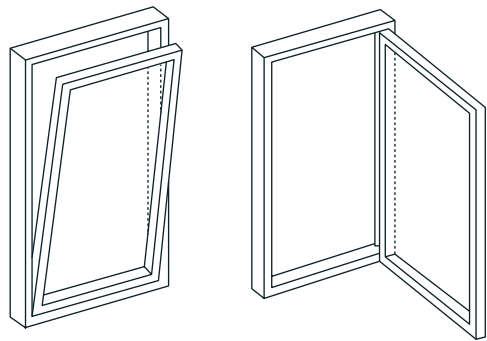
**Aluron Gemini Linear Aluminium**

Great for flushed and modern designs.

**Bildau Linea Classic Aluminium-Clad Wood**

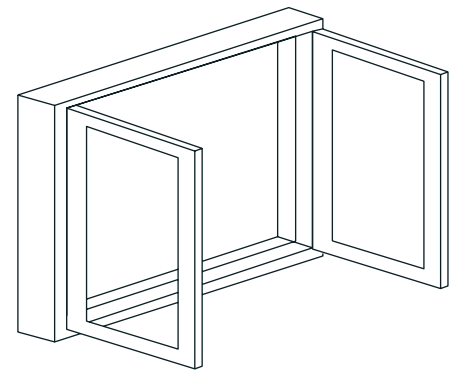
Traditional look with low-maintenance.

# 1 CHOOSE AN OPENING STYLE



## Tilt & Turn

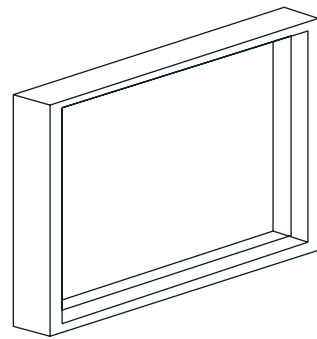
Versatile European-style windows that open in two ways: they tilt inward from the top for secure ventilation, or swing inward like a door for full opening, offering excellent airflow control, easy cleaning, and strong security—making them a practical and modern choice for many homes.



## Casement

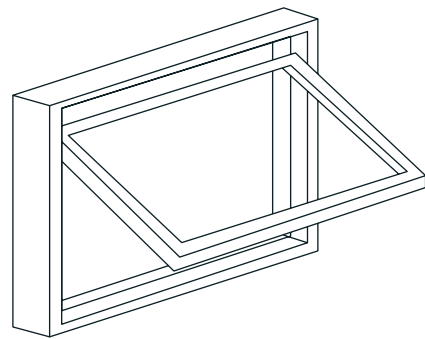
Hinged on one side and open outward like a door, usually operated with a crank handle. They provide excellent ventilation, a tight seal for strong energy efficiency, and clear, unobstructed views—making them a popular choice for modern and traditional homes alike.

**Outswing—select products only**



## Fixed

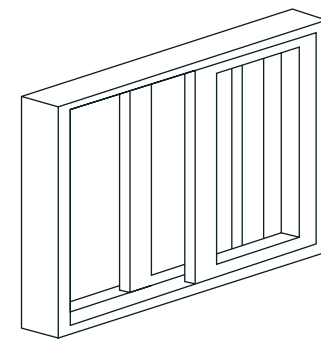
Non-operable windows designed solely to let in natural light and provide unobstructed views. Since they don't open, they offer excellent energy efficiency, enhanced insulation, and a clean, modern appearance—making them ideal for highlighting scenic outdoor views or brightening interior spaces.



## Awning

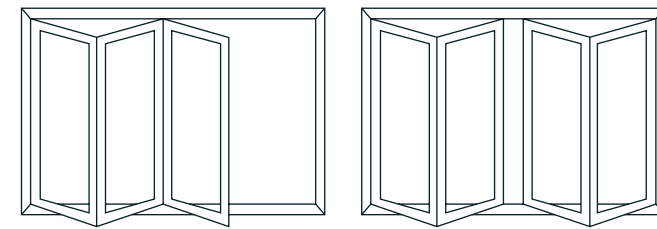
Hinged at the top and opening outward from the bottom, creating a protective “awning” effect. This design allows for ventilation even during light rain, while providing good energy efficiency and a contemporary look—perfect for bathrooms, basements, or a perfect pairing with larger fixed windows.

# WINDOW OPENING STYLES



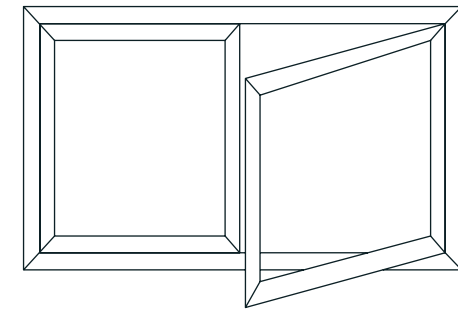
## Lift & Slide

Large glass panels that lift slightly from their frame and glide smoothly along a track when opened, creating wide, unobstructed openings. When lowered into the closed position, they seal tightly for excellent insulation and security—making them ideal for maximizing natural light and connecting indoor and outdoor living spaces.



## Folding / Bi-fold

Multiple hinged panels that fold and stack neatly to one side, creating a wide, unobstructed opening. They're ideal for blending indoor and outdoor spaces, maximizing airflow, and providing a modern, open feel. Their flexible design makes them perfect for kitchens, patios, or any area where a seamless connection is desired.



## Tilt & Slide

Combining two functions in one design: they tilt inward from the top for secure, controlled ventilation, or slide horizontally to open like a traditional sliding window. This dual operation offers flexibility, space-saving convenience, and strong insulation—perfect for modern homes where both airflow and practicality are important.

2 CHOOSE A WINDOW MATERIAL



# uPVC Windows

Modern, long-lasting, durable, and versatile



3 CHOOSE A PERFORMANCE TIER



**Veka Softline 82 MD** MOST POPULAR

A high-performing system with a center seal, ideal for colder climates. Passive-ready and highly insulated.

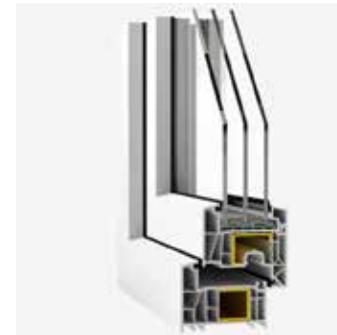
Standard Premium Luxury



- Highly Insulated
- Passive-Ready
- Triple & Double Pane

**Ideal For**

- Custom homes
- High-performance builds
- Cottages
- Rentals



**Decco 82**

Modern aesthetic design provides windows with a unique character and premium North American standards.

Standard Premium Luxury



- Best Affordability
- Excellent Performance
- Great Value

**Ideal For**

- Cottages
- Basements
- Mid-range homes
- Rentals



2 CHOOSE A WINDOW MATERIAL



# Aluminum Windows

Aesthetics, durability, & advanced features.



3 CHOOSE A PERFORMANCE TIER



**MB-79N**

A standard aluminum system and bestseller in the Aluprof range.

Standard Premium Luxury



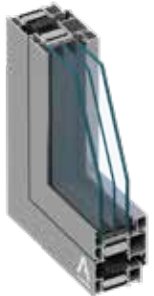
Best price-to-performance

Best all-around value

Good insulation

**Ideal For**

- Most custom homes
- Commercial builds
- High-traffic builds



**MB-86N**

MOST POPULAR

Thanks to improved thermal performance and tightness, the ideal choice for those seeking higher energy efficiency.

Standard Premium Luxury



Warmer Frames

Better Insulation

Stronger Performance

**Ideal For**

- Luxury builds
- Exposed climate conditions
- Custom homes
- Modern architecture
- Commercial / high-traffic



**MB-Slimline & Slimline +**

Exceptionally narrow luxury frames, ideal for use in renovation and modernization projects.

Standard Premium Luxury



Ultra-thin Frames

Minimalist Look

Thins Sight lines

**Ideal For**

- Modern luxury builds
- Lake houses
- High-end architecture
- Modern architecture

2 CHOOSE A WINDOW MATERIAL



# Aluminum Clad Wood Windows

Classic style with modern innovations.

3 CHOOSE A PERFORMANCE TIER



### Bertrand Synergic

MOST POPULAR

An innovative solution that combines high-end design with exceptional functionality.

Standard Premium Luxury



Warm Wood Interior

High-end Aesthetic

Energy-Efficient

### Ideal For

- Luxury homes
- Traditional homes
- Custom homes



### Bildau Linea Classic

Perfect for all who prefer a traditional look with the comfort of a low-maintenance window.

Standard Premium Luxury



Quality Craftsmanship

European Heritage

Traditional Luxury

### Ideal For

- Traditional & historical architecture
- Luxury builds



### Viking SW17 Wooden Window

An outward opening modern Nordic design with slim profiles, and excellent energy efficiency and broad view.

Standard Premium Luxury



Clean Line Design

Minimalist Aesthetic

Modern Performance

### Ideal For

- Contemporary luxury homes
- Modern architecture



**High-Quality Systems For**  
*Windows And Doors*



FITTINGS

**A Fit For,**  
*Every Style*

Feel secure with high-quality fittings for your windows and doors. Don't settle for anything less than meticulous craftsmanship and superb security.

**Browse Available Systems**

Window Fittings



Door Locking



Access Control

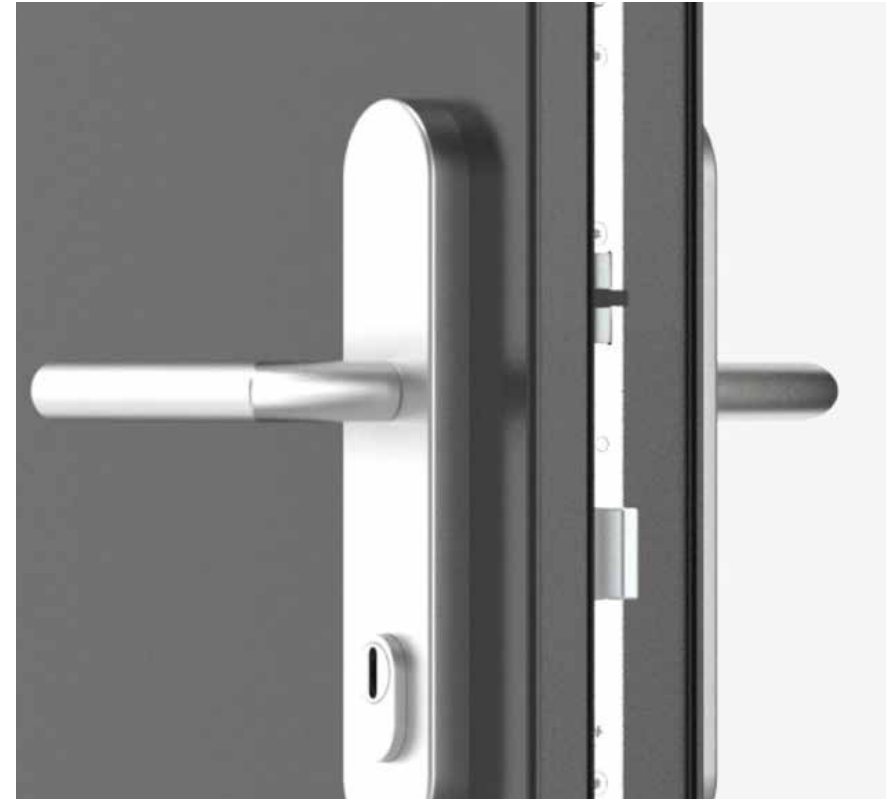




### Healthy & Smart Spaces For *Your Well-Being*



### Innovative Ideas With *The Highest-Quality Solutions*



**Browse  
Available  
Systems**

Window Fittings



Door Locking



Sliding Systems



**Browse  
Available  
Systems**

Window Fittings



Door Locking



Sliding Systems





**Leading The Way**  
*For 90 Years*



**Browse Available Systems**

Window Fittings



Door Locking



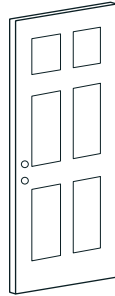
Automation





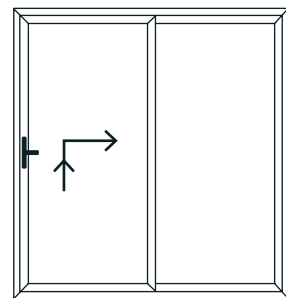
# Door *Profiles*

# 1 CHOOSE A DOOR STYLE



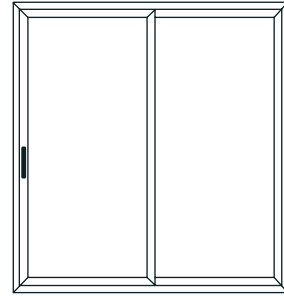
## Standard Entry Doors

The main entry doors and doors to connect to your outdoor spaces, designed to provide security, insulation, and aesthetic appeal and ease of access to gardens and back yards. They come in various materials and styles, offering both durability and a welcoming first impression.



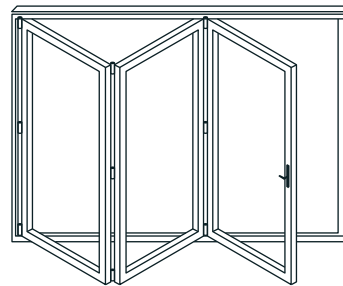
## Lift & Slide Doors

A premium patio door system designed for large openings and smooth operation. The door panel lifts slightly off its seals when the handle is turned, allowing it to glide effortlessly along the track, then lowers back into place to create a tight, weather-resistant seal when closed.



## Balcony & Patio Doors

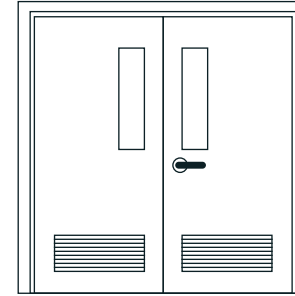
A wide, horizontally sliding door made of glass panels that provides easy access between indoor and outdoor spaces. It typically features two large panels—one fixed and one that slides along a track—and is designed to let in natural light while offering clear outdoor views. Sliding patio doors are commonly used for patios, decks, or balconies and are available in materials like vinyl, aluminum, wood, or fiberglass.



## Folding & Bi-fold Doors

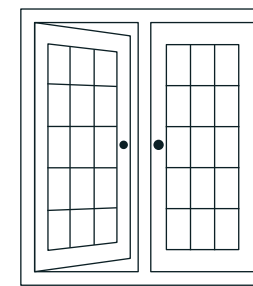
A multi-panel door system that opens by folding the panels and stacking them to one or both sides of the opening. Designed to create wide, unobstructed openings, these doors blur the line between indoor and outdoor living, ideal for patios and large openings.

## DOOR STYLES



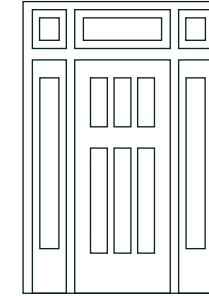
## Architectural Entry Doors

Architectural doors are custom or design-focused door systems created to meet specific aesthetic, structural, and performance requirements. Architectural doors are designed to make a visual statement while delivering precision engineering, durability, and seamless integration with the overall architectural vision.



## French Doors (Double Entry)

French doors are a classic door style featuring two hinged panels that open from the center, typically with large glass panes that allow natural light to flow between spaces. They can swing inward or outward and are commonly used to connect indoor rooms to patios, gardens, or balconies.



## Bespoke Entry Doors

Fully custom-designed doors tailored to the exact specifications, style, and functionality desired by the client. Crafted from premium materials and finished to precise detail, they can feature unique shapes, sizes, colours, hardware, and decorative elements. Bespoke doors are ideal for creating a distinctive architectural statement while ensuring perfect fit and high performance.

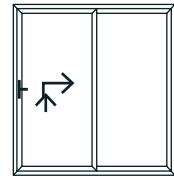
2 CHOOSE A DOOR MATERIAL

# uPVC Doors

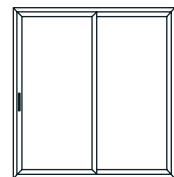
Combining high-performance with exceptional value.



Standard Entry: Reliable and high-security swing doors designed for primary or secondary entrances.



Lift & Slide: A versatile European style that tilts inward for secure ventilation or slides horizontally to save space in tight rooms.



Standard Sliding Patio: Cost-effective, smooth-operating doors that provide easy access to backyards and decks.



3 CHOOSE A PERFORMANCE TIER



**Veka Softline 82 MD** MOST POPULAR

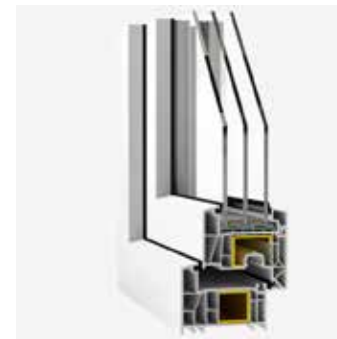
A high-performing system with a center seal, ideal for colder climates. Passive-ready and highly insulated.

Standard Premium Luxury



- Highly Insulated
- Passive-Ready
- Triple & Double Pane

**Ideal For**  
 Custom homes  
 High-performance builds  
 Cottages  
 Rentals



**Decco 82**

Modern aesthetic design provides doors with a unique character and premium North American standard.

Standard Premium Luxury



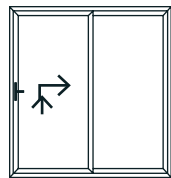
- Best Affordability
- Excellent Performance
- Great Value

**Ideal For**  
 Cottages  
 Rentals

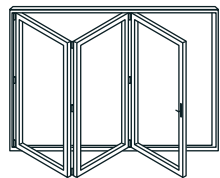
2 CHOOSE A DOOR MATERIAL

# Aluminum Doors

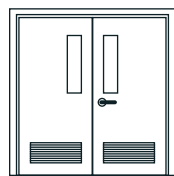
Sleek, durable, & engineered for modern living.



**Lift & Slide:** Advanced hardware lifts the door panel off the track, allowing even massive glass walls to glide effortlessly for wide, unobstructed views.



**Folding / Bi-fold:** Multiple hinged panels that fold and stack to the side, completely removing the barrier between your indoor and outdoor living spaces.



**Architectural Entry:** High-strength, modern entrance systems featuring advanced thermal breaks for superior insulation in Canadian winters.

\* Some of these options can be automated.



3 CHOOSE A PERFORMANCE TIER



### MB-79N

A standard aluminum system and bestseller in the Aluprof range.

Standard Premium Luxury



Best price-to-performance

Best all-around value

Good insulation

### Ideal For

- Most custom homes
- Commercial builds
- High-traffic builds



### MB-86N

MOST POPULAR

Thanks to improved thermal performance and tightness, is the ideal choice for clients seeking higher energy efficiency.

Standard Premium Luxury



Warmer Frames

Better Insulation

Stronger Performance

### Ideal For

- Luxury builds
- Exposed climate conditions
- Custom homes
- Modern architecture
- Commercial / high-traffic



### MB-Slimline & Slimline +

Exceptionally narrow luxury frames, ideal for use in renovation and modernization projects.

Standard Premium Luxury



Ultra-thin Frames

Minimalist Look

Thins Sightlines

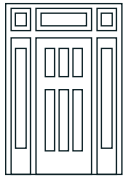
### Ideal For

- Modern luxury builds
- Lake houses
- High-end architecture
- Modern architecture

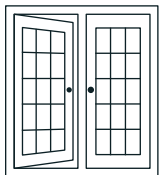
2 CHOOSE A DOOR MATERIAL

# Wood Doors

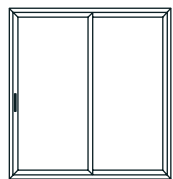
Traditional character meets modern resilience.



Bespoke Entry Doors: Fully customizable wood entries that provide a welcoming first impression with unmatched craftsmanship.



French Doors (Double Entry): Classic double-swing doors that add traditional elegance and character to any home.



Balcony & Patio Access: Durable aluminum exterior protection with a warm, natural wood interior for a premium traditional look.



3 CHOOSE A PERFORMANCE TIER



### Bertrand Synergic

An innovative solution that combines high-end design with exceptional functionality.

Standard Premium Luxury



Warm Wood Interior

High-end Aesthetic

Energy-Efficient

### Ideal For

Luxury homes  
Traditional homes  
Custom homes



### Bildau Linea Classic

Perfect for all who prefer a traditional look with the comfort of low-maintenance.

Standard Premium Luxury



Quality Craftsmanship

European Heritage

Traditional Luxury

### Ideal For

Traditional & historical architecture  
Luxury builds



### Viking SW17 Wooden Window

An outward opening modern Nordic design with slim profiles, and excellent energy efficiency and broad view.

Standard Premium Luxury



Clean Line Design

Minimalist Aesthetic

Modern Performance

### Ideal For

Contemporary luxury homes  
Modern architecture

4 CHOOSE YOUR DOOR HANDLES



DOOR HANDLES

# The Hand To Your Home

Handles are more than just accessories and that comes through in the quality craftsmanship and careful attention to detail in our aluminum products.



DOOR HANDLES BY HOPPE



## Handles Of Excellence



**Browse Available Systems**

Door Handles



Window Handles





**Sleek & Modern**  
*Aesthetic Solutions*



**Modern Aesthetics &**  
*Quality That Lasts*



**Browse Available Systems**

Door Handles



Windows Handles



**Browse Available Systems**

Door Handles





**Quality Aluminum Handles**  
*With No Exception*



**Browse Available Systems**

Door Handles



Windows Handles



NFRC/NAFS CERTIFICATION



We aim to offer the highest certification of products. While not all of our supply is NFRC/NAFS Certified, we're happy to discuss options for products that don't meet our standards.

Ask us about on site certification process and how we can make any window or door style happen for your project.

**RELM Finestra systems meet or exceed NAFS standards for Canadian climate zones.**



Join Our  
Growing List of  
*Satisfied Customers*

613-724-1855

info@relmfinestra.com

relmfinestra.com





# Contact Us

*To Discuss Your Project*



**For Home  
Builders, Buyers,  
& Owners**

## **Request A Quote**

613-724-1855

info@relmfinestra.com

**relmfinestra.com**

## **Follow Us**

**in** /RELM-FINESTRA-INC

**o** @RELMFINESTRA

