



XBOT S PRO

The premium automated coffee solution

- CONSISTENT BARISTA-QUALITY COFFEE
- ELIMINATES STAFFING DEPENDENCY
- OPERATES LONG HOURS
- COMPACT FOOTPRINT

WHERE XBOT S PRO WORKS:

Offices • Hospitals • Restaurants • Supermarkets
• Bookstores • Theaters • Exhibitions • Amusement parks



Masterful Latte Art, Powered by AI



Tulip



Heart



Swan

Maintenance Efficiency

Material replenishment can be completed by one person within five minutes.

Triple Food Safety Protection

Ensuring food safety in unmanned environments.

Space Requirements

Reserve 810mm on both sides. Minimum reserve of 500mm for the rear door; front door is a fully open space.

Coffee Types

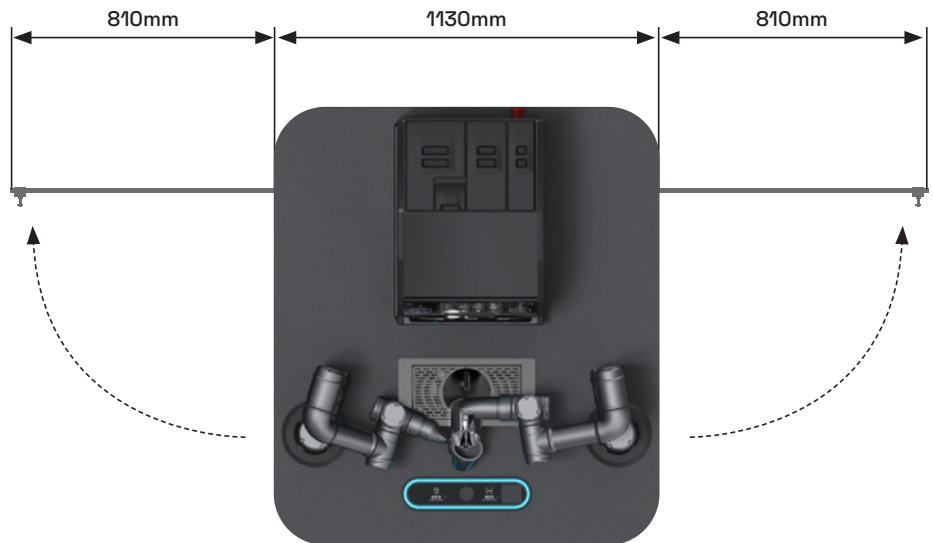
Hot Latte (with latte art), Hot Latte (with printed latte art), Americano (iced/hot), Iced Latte, Cappuccino, Flat White, etc.

Production Efficiency

Approximately 30 cups/hour.

Online Management System

Real-time monitoring of equipment status, one-click recovery of faults, material shortage warning, product OTA upgrades, data analysis and operational management.



PRODUCT SPECIFICATIONS

Dimensions(WxDxH)

1130 x 1280 x 1600mm

Coffee Machine

Eversys C2M

Exterior Design

Square right-angle obsidian
Spraypainted countertop

Weight

400kg

Colour

Onyx Black

Ordering System

inSight ordering system
(dual-screen integration)
Ordering Entry API can be customized

Cup Dispenser

Compatible with xbot 8oz paper cup taper