

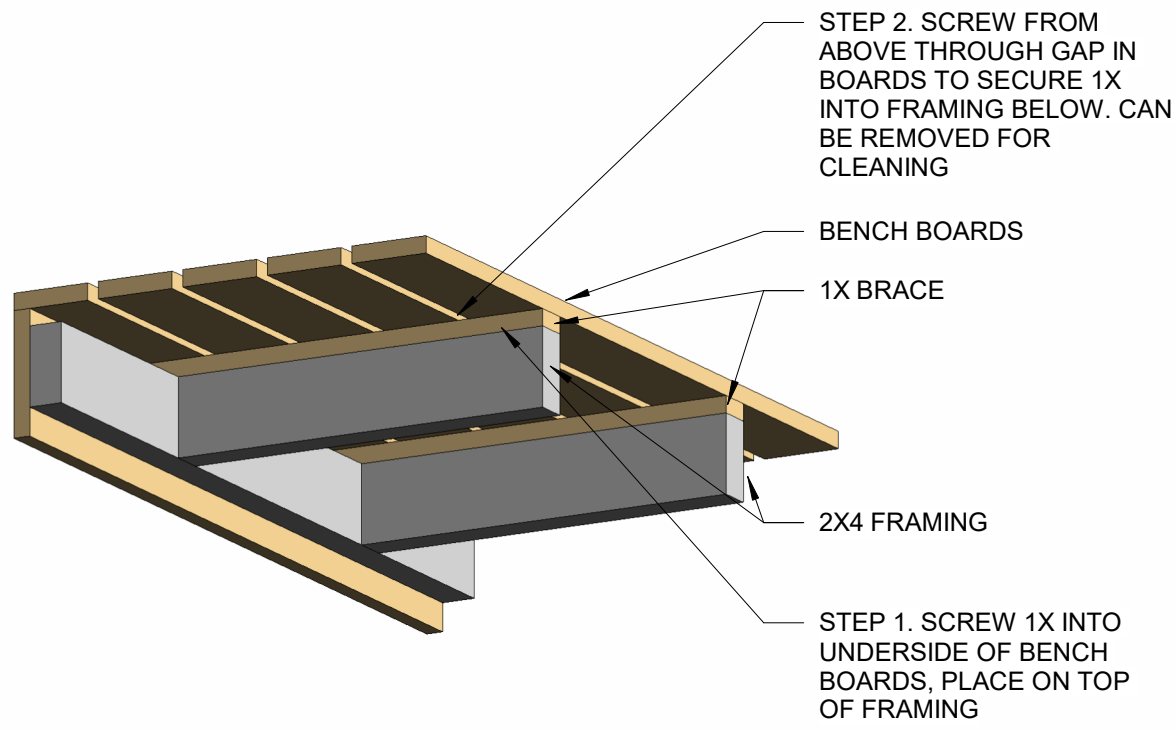
GENERAL NOTES

1. INSTALL PAPER BACKED FOIL FROM BOTTOM TO TOP, OVERLAP ALL SEAMS 8"
2. TAPE ALL SEAMS AND PENETRATIONS IN FOIL BARRIER WITH FOIL TAPE RATED FOR HIGH TEMPERATURE, 350 DEGREE MIN.
3. ATTACH 1x2 FURRING STRIPS TO STUDS OVER FOIL, APPROX. 16" OC. MAINTAIN CONTINUOUS VERTICAL AIR SPACE.
4. INSTALL CEILING WOOD PANELING FIRST, THEN WALLS FROM TOP TO BOTTOM
5. PROVIDE CONTINUOUS, CONSISTENT 1/8" GAP AT JOINTS OF PERPENDICULAR WALL PANELING,
6. INSTALL SOLID 2X BLOCKING BETWEEN STUDS AT ALL BENCH CONNECTION POINTS
7. SECURE BENCHES TO WALLS WITH 1/4" WOOD SCREWS, ONLY CONNECT THROUGH FURRING STRIPS OR BLOCKING, PRE-DRILL PILOT HOLES
8. NO EXPOSED FASTENERS IN WALLS OR BENCH SURFACES THAT WILL BE IN CONTACT WITH THE BODY
9. USE STAINLESS STEEL FASTENERS IN ALL THERMALLY MODIFIED WOOD. 18-GAUGE 1/4" NARROW CROWN 1.5 IN. 316 STAINLESS STEEL STAPLES IN PANELING (NO ADHESIVE COATING). 16-GAUGE 316 STAINLESS STEEL FINISH NAILS AT ANY FACE NAILING.
10. ALL GLASS SHALL BE TEMPERED

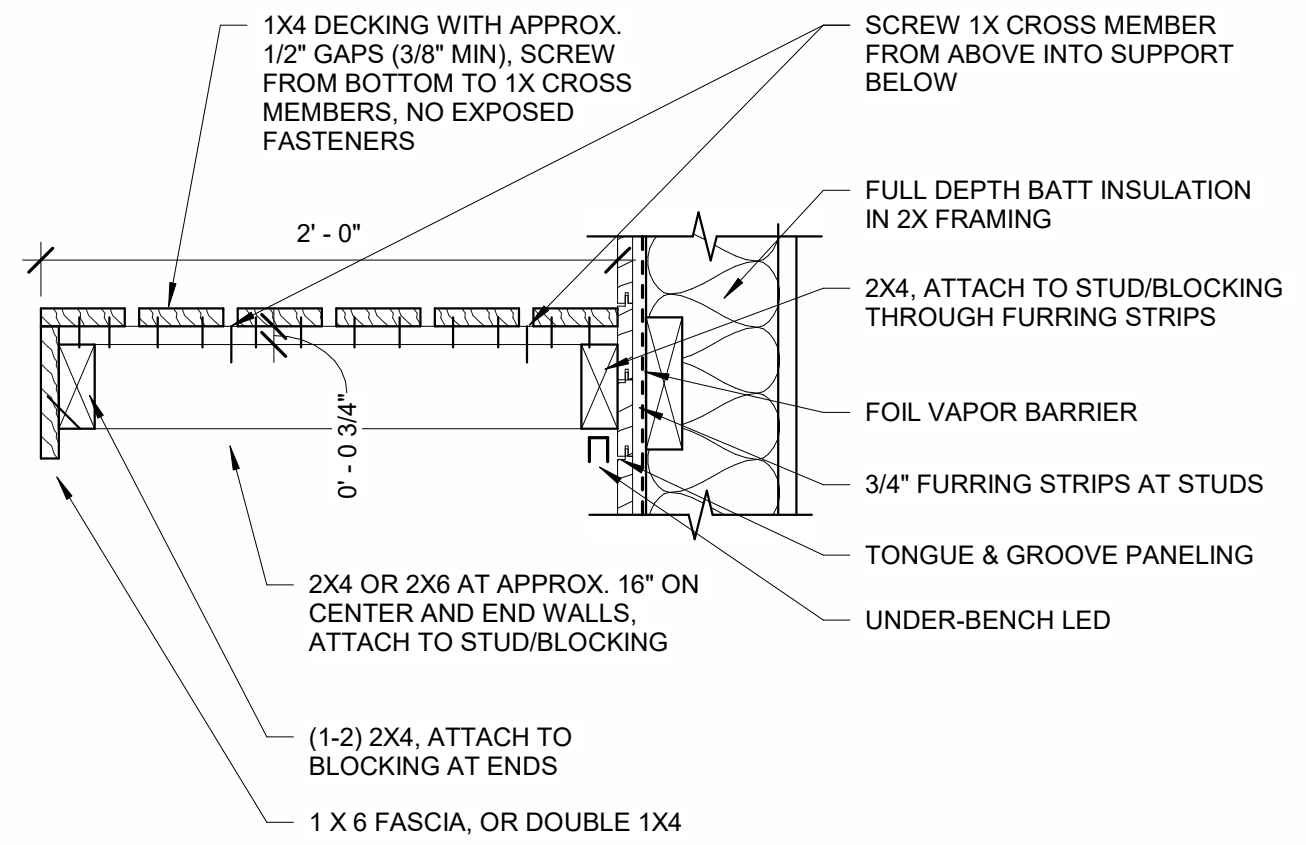
WE SHARE THIS FREELY BECAUSE GOOD INFORMATION MAKES BETTER SAUNAS.

QUESTIONS ABOUT THIS DETAIL OR YOUR PROJECT? GET IN TOUCH.

READY TO SOURCE MATERIALS AND EQUIPMENT? DOVETAIL SAUNA WELCOMES THE OPPORTUNITY TO WORK WITH YOU.



2 BENCH DETAIL (FROM BELOW) SKETCH



1 TOP BENCH DETAIL SKETCH
1 1/2" = 1'-0"

FOR DESIGN INTENT ONLY
NOT FOR PERMIT
NOT FOR CONSTRUCTION

****DISCLAIMER:**** These complimentary, generic details illustrate design intent only. They are not project-specific construction documents, specifications, engineering, code analysis, or architectural services, and their use creates no architect-client or other professional relationship with DOVETAIL SAUNA. Conditions, codes, products, and requirements vary by project and jurisdiction. The user is solely responsible for retaining appropriately licensed local design professionals, verifying all dimensions, conditions, structural and building-system requirements, manufacturer instructions, permits, and code compliance, and adapting the details before use. The details are provided "AS IS," without representation or warranty. To the fullest extent permitted by law, DOVETAIL SAUNA disclaims liability for any loss, damage, injury, cost, or claim arising from their use or reliance.

DOVETAIL
Dovetail Sauna
dovetailsauna.com
taylor@dovetailsauna.com
303-900-3250

BENCH DETAILS		
STANDARD DETAILS		SK-01
NOT SITE SPECIFIC		
Date	6/12/2026	
Project number	000000	Scale As indicated