



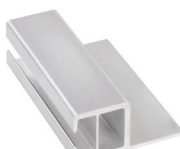



Custom Aluminum Extrusions for the Awning Industry




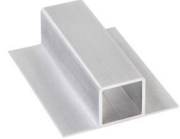




ICI Staple System

	1" x 1" x .100" wall 6063-T5 Round Corner 24'
Item # ICICAS103	
	1" x 2" x .100" wall 6063-T5 OP-Side Staple Round Corner 24'
Item# ICICAS104	
	1" x 2" x .100" wall 6063-T5 OP-Staple Round Corner 24'
Item# ICICAS105	
	2" x 2" x .125" wall 6063-T5 Round Corner 24'
Item# ICICAS110	
	1" RC Side Staple with Flange 6063-T5 Round Corner 24'
Item# ICICAS106	
	1" RC Staple Down with Flange 6063-T5 Round Corner 24'
Item# ICICAS107	

Awning Hardware Parts Zinc Plated Steel

	1" Z Bracket
Item # AwnHW01	
	2" U Bracket
Item # AwnHW02	
	1" x 2" L-Bracket
Item # AwnHW03	
	1" x 1" x 1.5" L-Bracket
Item # AwnHW04	
	1" x 4" Z Bracket
Item # AwnHW05	
	1" x 2" Flat Link Plate
Item # AwnHW06	

Custom Awning Shapes

	Stationary Molding Track 2.75" x .100" wall 6061-T6 20'1"
	Item # ICIAM101
	90 Degree Awning Molding 1.18" - 90 Degree 6063-T5 18'
	Item # ICIAM102
	180 Degree Awning Molding 1.145"
	Item # ICIAM103
	.075" Double Flange Top Hat 6063-T5 Round Corner 24'
	Item# ICICAS108
	Roller Tube 3.165" OD x .095" Wall
	Item # ICICAS109
	Awning Pan 6" - ICIPAN6 8" - ICIPAN8
	Awning Frame 8" - ICIFRM8 10" - ICIFRM10 12" - ICIFRM12
	Constructed Awning Frame and Pan for illustration purposes only.

Standard Aluminum Extrusions for the Awning Industry



- **Rectangular Aluminum Tubing**

- *Sharp Corners*
- *Round Corners*

- **Round Aluminum Tubing**

- **Aluminum Pipe**

- **Round Aluminum Bar**

- **Flat Aluminum Bar**

- **Galvanized Steel Products**

- *Rectangular Gatorshield Tubing*
- *Square Gatorshield Tubing*
- *Round Gatorshield Tubing*
- *Round Galvanized Bar*

- **Custom Cut Aluminum Base Plates**

- *Pre-drilled mounting holes available. Call for a quote!*

