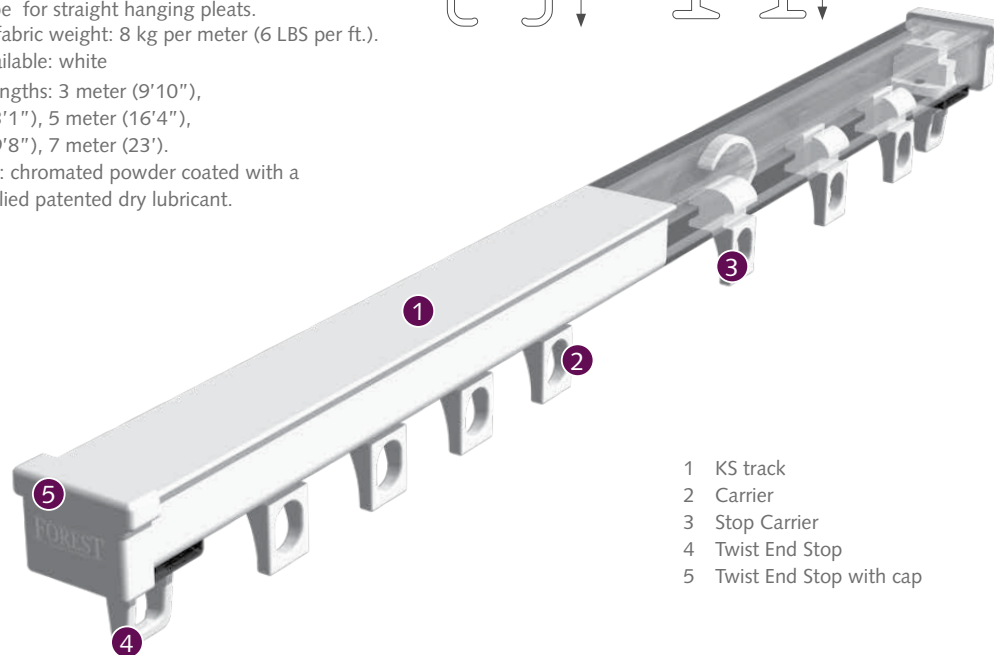
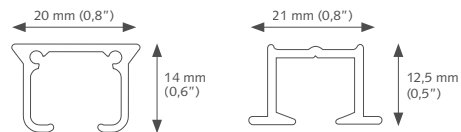


## PRODUCT INFORMATION

- Highly efficient hand drawn system for all types of medium weight draperies.
- Quick installation with "Smart Klick" brackets for wall and ceiling applications with cover caps that conceal the screws.
- Bendable; it can be curved and reversed curved using a 10 cm (4") radius or continuous curve.
- Suitable for special window decoration as circular, arch and triangle window models.
- Heavy duty clickable carriers, UV-protected, for smooth and easy traversing.
- Offset shape for straight hanging pleats.
- Maximum fabric weight: 8 kg per meter (6 LBS per ft.).
- Colours available: white
- Available lengths: 3 meter (9'10"), 4 meter (13'1"), 5 meter (16'4"), 6 meter (19'8"), 7 meter (23').
- Track finish: chromated powder coated with a factory applied patented dry lubricant.

## PROFILE

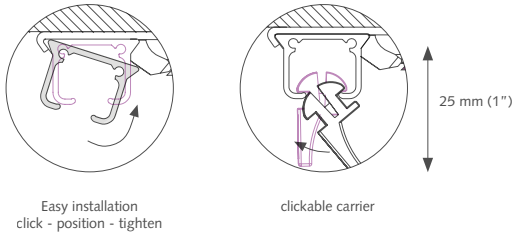
- Shown actual size 1:1.
- Aluminum Extrusion.
- Dimensions: 14 mm x 20 mm (0,6" x 0,8").
- KS Recess: 12,5 mm x 21 mm (0,5" x 0,8")



- 1 KS track
- 2 Carrier
- 3 Stop Carrier
- 4 Twist End Stop
- 5 Twist End Stop with cap

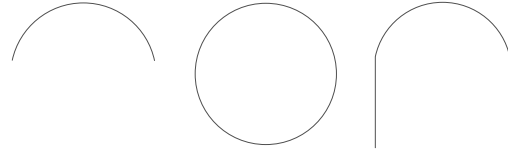
## FOR USE IN

Hotels - offices - schools - healthcare - residences - boats - campers - planes or at any location where an efficient hand drawn system is required.

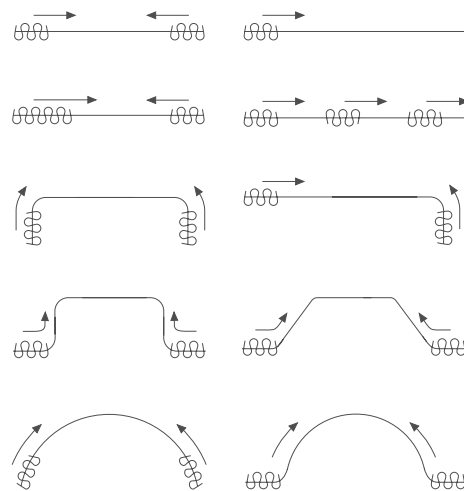


## SPECIAL WINDOW DECORATION

Special bends

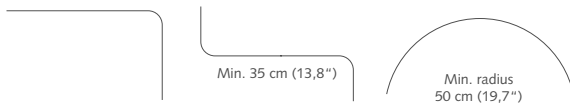


## APPLICATIONS



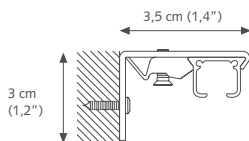
## BENDING / CURVING

The track can be curved and reversed curved using a 10 cm (4") radius. Additionally there is a curving possibility for special windows like arches, bows and circles. Bending instructions available on request.

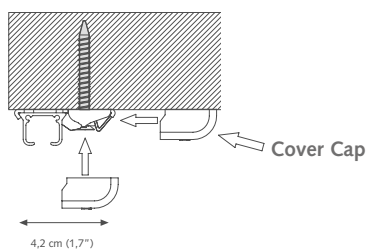


## MOUNTING BRACKETS

**Wall bracket**  
3,5 cm (1,4")  
6 cm (2,4")



**Smart Click Ceiling Bracket**



**Aluminium Wall bracket single**

A) 7,5 cm (3") B) 6,3 cm (2,5")  
A) 10 cm (4") B) 8,8 cm (3,5")

