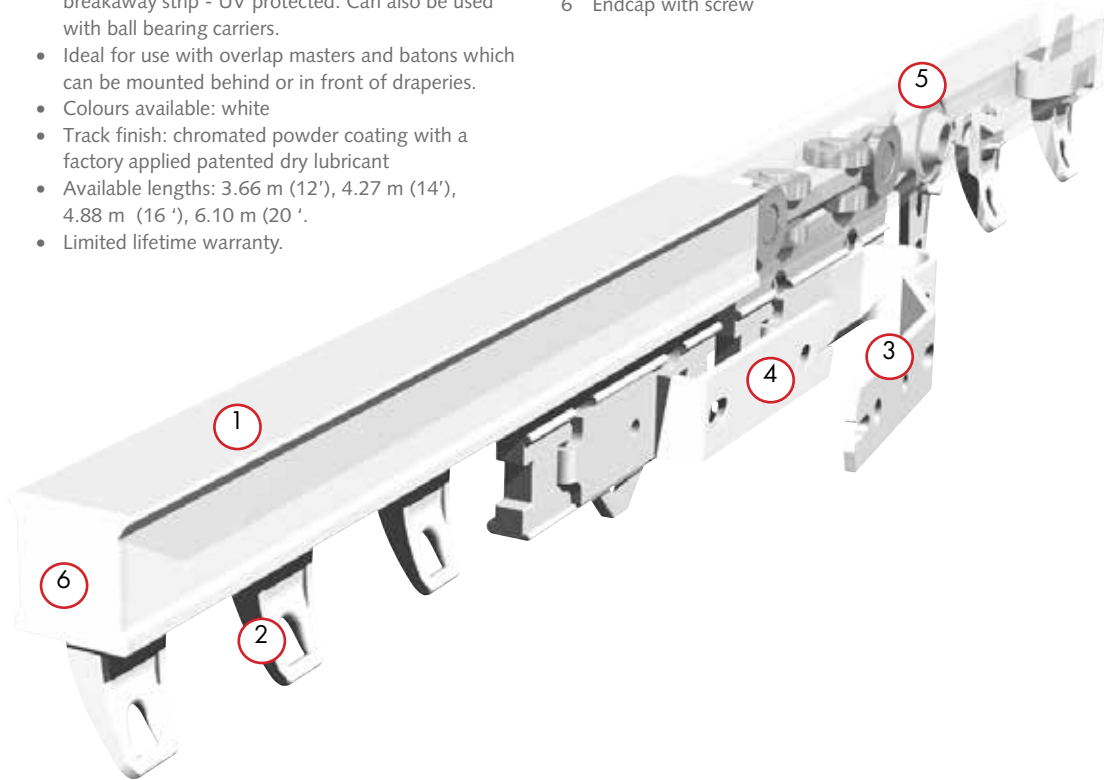


PRODUCT INFORMATION

- Heavy duty hand drawn system for medium and heavy draperies.
- Bendable; it can be curved and reversed curved using a 20 cm (8") radius or continuous curve.
- Heavy duty clickable carriers - 10 carriers on a breakaway strip - UV protected. Can also be used with ball bearing carriers.
- Ideal for use with overlap masters and batons which can be mounted behind or in front of draperies.
- Colours available: white
- Track finish: chromated powder coating with a factory applied patented dry lubricant
- Available lengths: 3.66 m (12'), 4.27 m (14'), 4.88 m (16'), 6.10 m (20')
- Limited lifetime warranty.

- 1 CS Track
- 2 Carrier
- 3 Master Carrier R/L Overlap
- 4 Master Carrier R/L Underlap
- 5 Ball bearing carrier
- 6 Endcap with screw

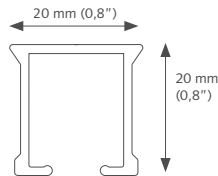


FOREST CM®



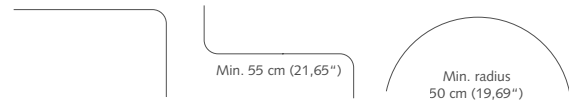
PROFILE

- Weight: 235 gram p. mtr (2.53 ounce - ft).
- Aluminium Extrusion
- Dimensions: 20 mm x 20 mm (0,8" x 0,8")



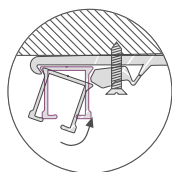
BENDING / CURVING

The track can be curved and reversed curved using a 20 cm (8") radius. Continuous curving is also possible with the electrical bending tool.

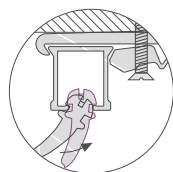


FOR USE IN

Hotels - Motels - offices - schools - healthcare residential or at any location where a heavy duty hand drawn system is required.



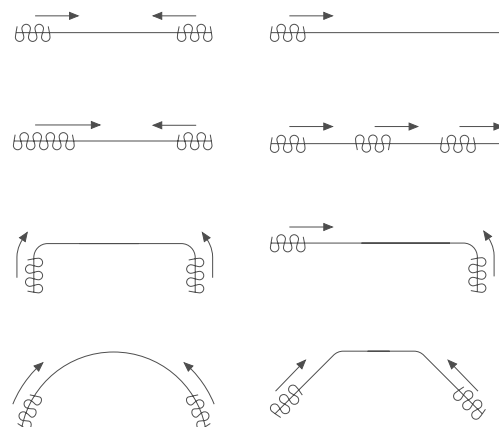
Easy installation
click - position - tighten



clickable carrier

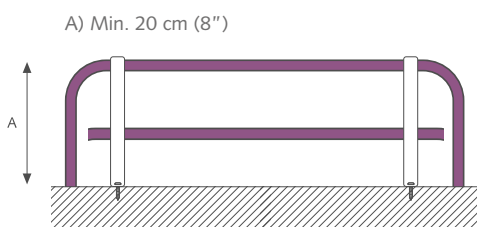
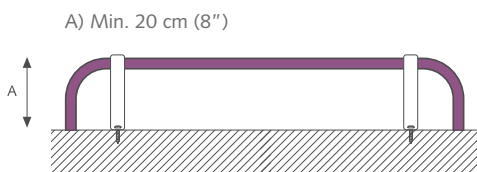
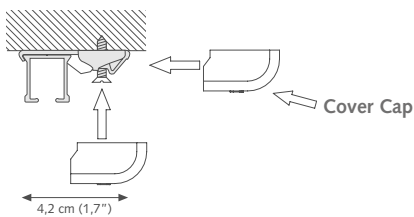
38 mm (1,5")

APPLICATIONS



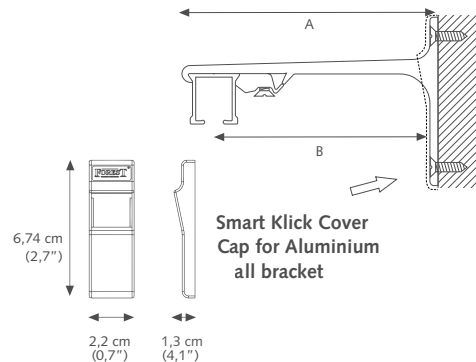
MOUNTING BRACKETS

Smart Klick Ceiling bracket



SK Aluminium Wall bracket single

- A) 7,5 cm (3") B) 6,3 cm (2,5")
- A) 10 cm (4") B) 8,8 cm (3,5")



Brackets need to be placed every 50 - 60 cm (20"), depending on fabric weight.