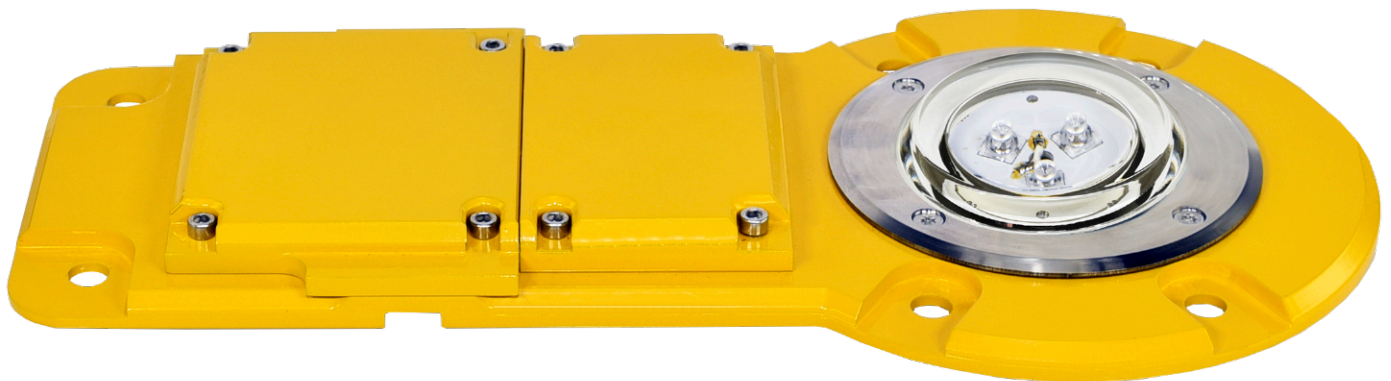
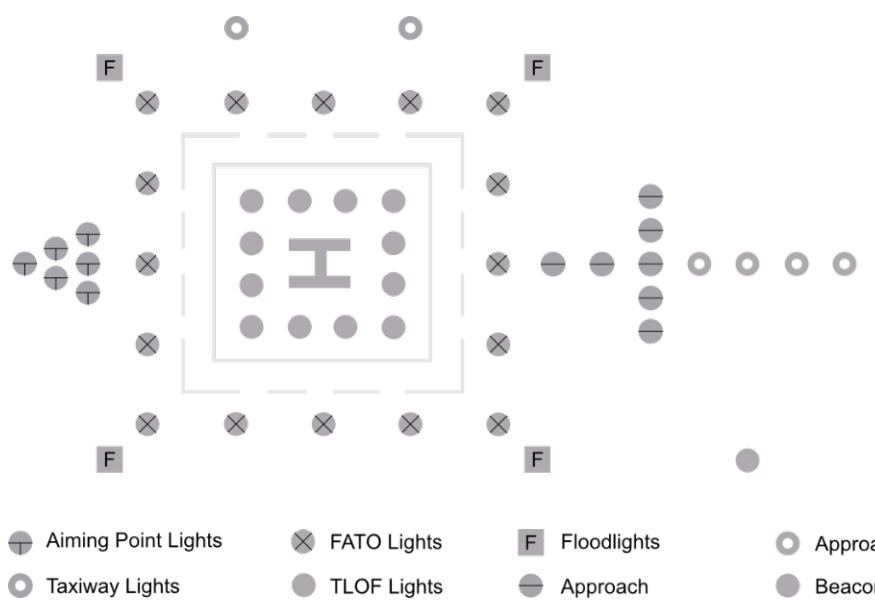


# Flat Alignment - FD



<p><b>Compliance to Standards</b></p>	<p><b>ICAO:</b> International Civil Aviation Organization, Aerodromes, Annex 14, Vol. 1</p> <p><b>ICAO:</b> Annex 14, Volume II - Heliports</p> <p><b>IEC TS 61827:</b> Electrical installations for lighting and beaconing of aerodromes. Characteristics of inset and elevated luminaires used on aerodromes and heliports</p>
<p><b>Application</b></p>	<p>Flight path alignment guidance lights</p>  <p> <span>⊕ Aiming Point Lights</span>                <span>⊗ FATO Lights</span>                <span>Ⓚ Floodlights</span>                <span>○ Approach Lights</span>  <span>● Taxiway Lights</span>                <span>● TLOF Lights</span>                <span>⊖ Approach</span>                <span>● Beacon Light</span> </p>
<p><b>Features</b></p>	<p>Designed and built with simplicity and ease of maintenance in mind.</p> <p>High-power LED technology with an estimated lifetime of 100,000 hours.</p> <p>Lightweight, low-energy and environment friendly lighting fitting. Extensive use of aluminium alloys reduces fitting weight and eases handling in the field.</p>

<p><b>Product Code</b></p>	<p><b>AL - 075 - 03 - WH - FD</b></p> <p>Series Indicator (Airfield Lighting) <b>AL</b></p> <p>Product Indicator <b>075</b></p> <p>LEDs Number <b>03</b></p> <p>LEDs Light Color (White) <b>WH</b></p> <p>Indicative for surface mounting fixture <b>FD</b></p>
<p><b>Description</b></p>	<p><b>Housing</b> - Powder coated aluminium RAL 1004 (aviation yellow)  <b>Disperser</b> - hardened glass  <b>Disperser flange</b> - nickel plated ring  <b>Cable gland</b> - nickel plated brass  <b>Fasteners</b> - stainless steel</p> <p>Light fixtures are provided with anti condensation valve.                  Light fixtures are UV protected.</p>
<p><b>Environment</b></p>	<p><b>Temperature range:</b> -55° to +55°</p> <p><b>Degree of protection:</b> IP68</p> <p><b>Humidity:</b> 0-100%</p> <p><b>Ka tested:</b> Salt mist - in accordance with: IEC 60068-2-11 &amp; IEC 60068-2-25</p>
<p><b>Mounting</b></p>	<p>Light fixtures are designed to be mounted on any hard flat surface, such as:</p> <p><input checked="" type="checkbox"/> Concrete      <input checked="" type="checkbox"/> Asphalt      <input checked="" type="checkbox"/> Metallic structures</p>

**Electrical Characteristics**

**Power consumption:** 6.3 W

**Power supply:**

48 VDC from controller - dimmable: 100%, 30%, 10%

90-230 V, 50/60 Hz - non dimmable

1.4 A CC - dimmable: 100%, 30%, 10% (internal bypass + SPD)

**Types of power supply:**

48 VDC power supply from controller with 3 core cable

**V+** (brown)

**V-** (blue)

**Dimming** (green/yellow)

230 VAC directly from mains power supply

**Live** (brown)

**Neutral** (blue)

**Ground** (green/yellow)

1.4 A CC power supply from controller with 2 core cable

**V+** (red mark)

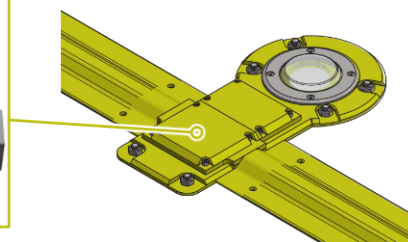
**V-** (blue mark)

Electrical connections are made inside the housing using a gel-filled junction box (gelbox).



Gelbox

**Code: 201-2593**



The light fixture is supplied with a sufficiently long cable, which is routed through a channel outside the heliport area.

The power cable will be protected by an aluminum cable protection with a weight of 2.2 kg/m.

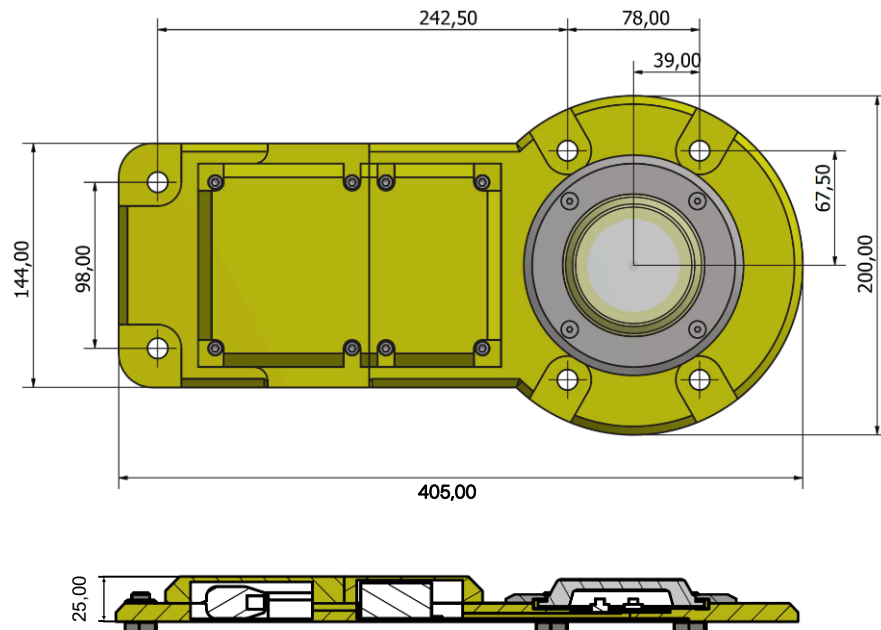


Cable protection

**Code: AL-119-AX**

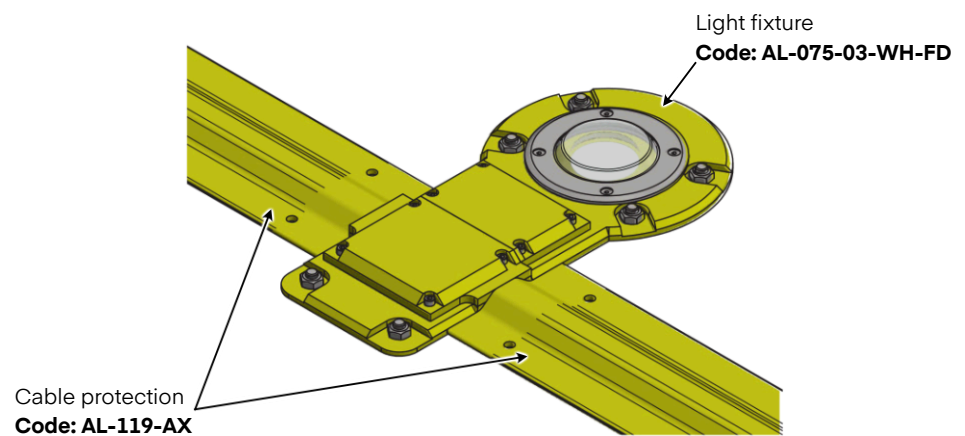
**Mechanical Characteristics**

- Length:** 405 mm
- Width:** 200 mm
- Height:** 25 mm
- Weight:** 2.5 kg



Installation of lighting fixture and cable protection:

- with M10 welded bolts on the metallic platform
- with M10 threaded holes in the metal platform



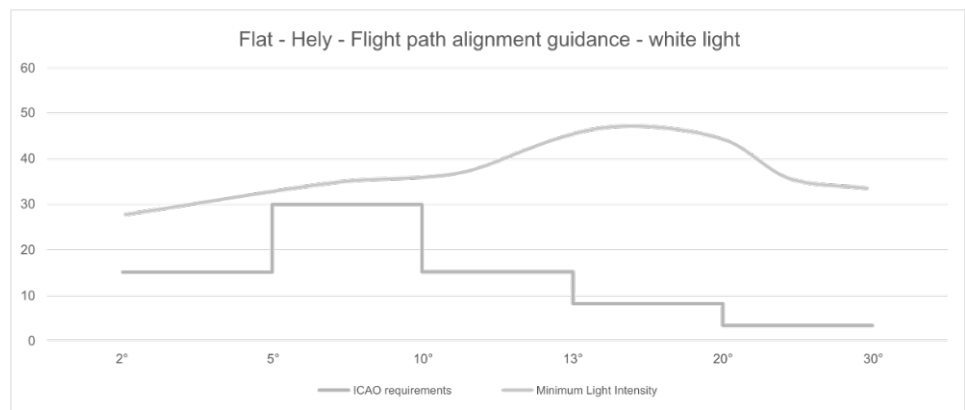
**Photometric Characteristics**

**Intensity level:** 100%, 30%, 10% with version powered in 48 VDC or 1.4 A CC

**Horizontal output:** 360°

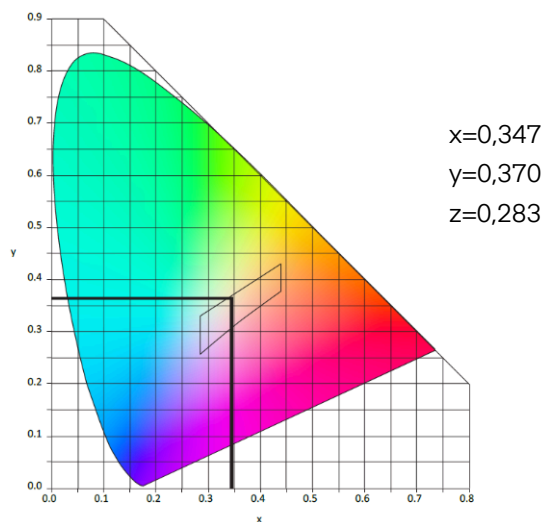
**Light color:** White

Vertical elevation angle	2°-5°	5°-10°	10°-13°	13°-20°	20°-90°
Required minimum intensity [cd]	15	30	15	8	3
Measured minimum intensity [cd]	28.5	31.5	36.5	47	30.9



The brightness intensity values complies with:  
**ICAO requirements Annex 14 Vol.2 fig. 5-12, illustration 5.**

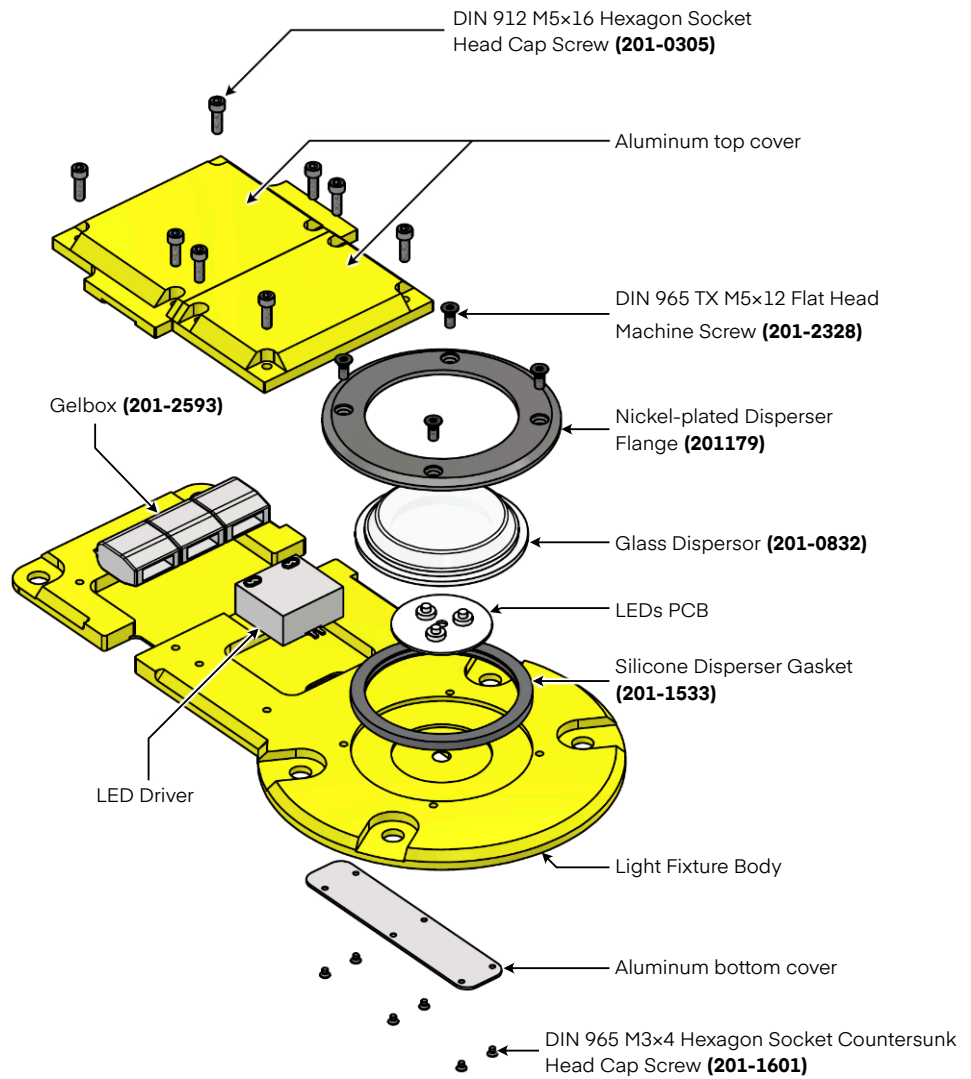
The light color emitted by the light fixture is white, with the following trichromatic coordinates:



The measured trichromatic coordinates correspond to color range requirements in:


**ICAO Annex 14 - Aerodromes Vol.1, fig, A1-1b. Colors for aeronautical ground lights (solid state lighting)**

**Spare Parts**



**Accessory**

To order accessories please call our customer support. For contact details please refer to our website - [www.signalight.com](http://www.signalight.com)

#	Name - Series	Product Code	Image
1	Cable protection	AL-119-AX	



**Signalight**

**+40 254 515 465**  
**office@signalight.com**

36 Lunca Street, Petrosani,  
Hunedoara County, Romania

**[www.signalight.com](http://www.signalight.com)**