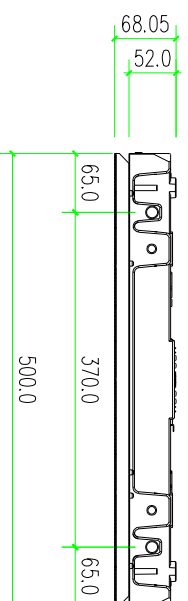
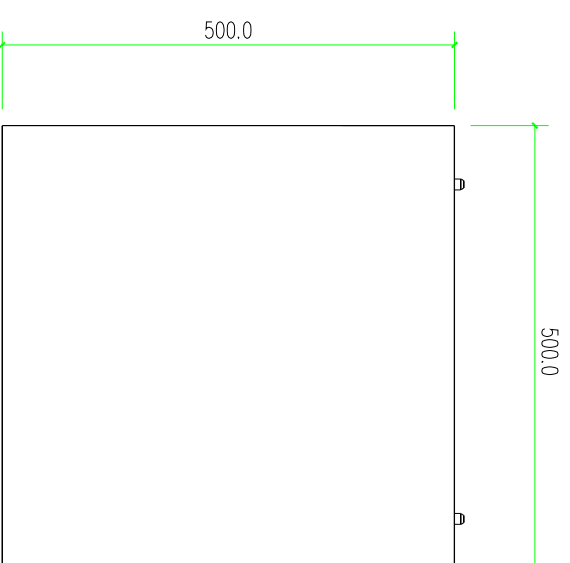
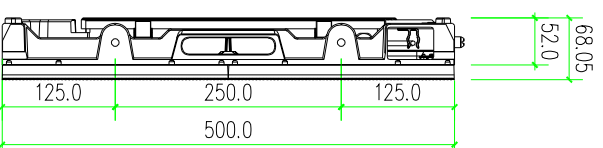
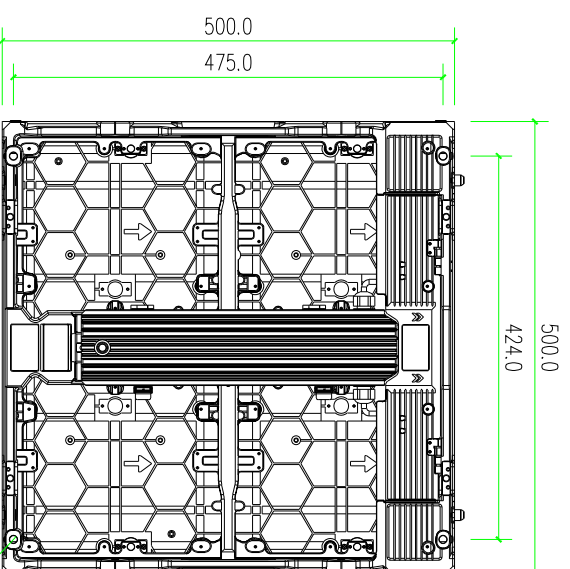
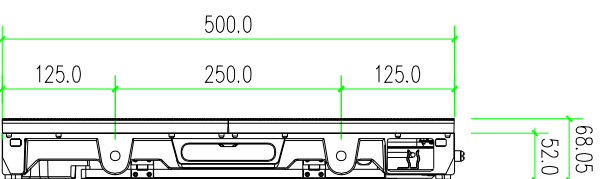
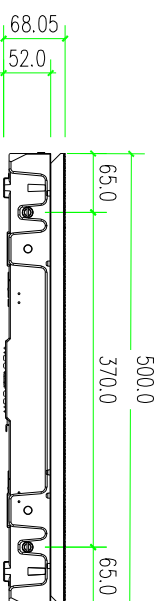
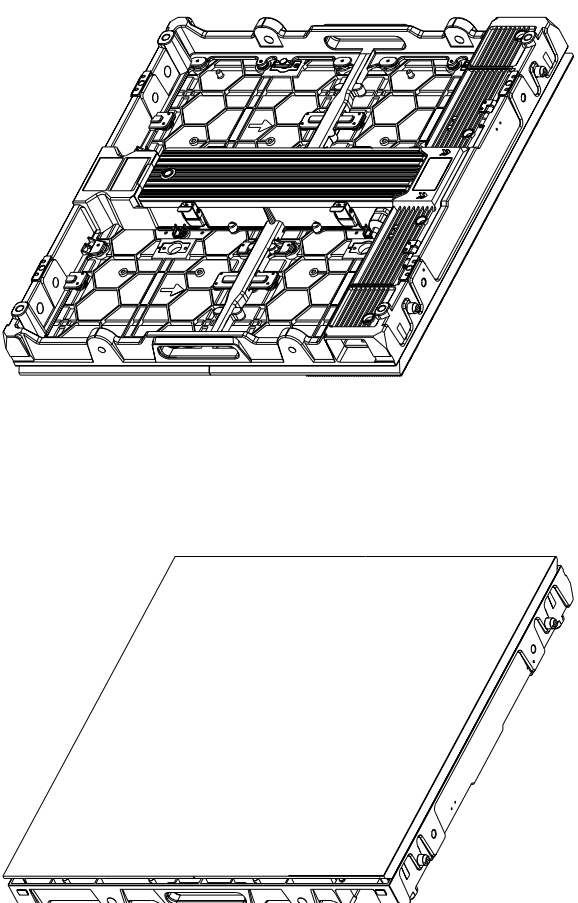


MP-390V2_500x500x68.05mm



Secure with 4-M10 screws



SHENZHEN DICOLOR OPTOELECTRONICS CO., LTD.

Tel : +86 755 3290 1555 Fax: +86 755 2960 4042
 Website: www.dicolor.cn
 No.13 Huiye Road ,Tangjia Community, Fenghuang Street, Guangming District, Shenzhen, China
 13 Huiye Road ,Tangjia Community,Fenghuang Street, Guangming District, Shenzhen, China

The copyright of this design to the company, without written approval shall not be free to use any part of reproduction. Not to measure the proportion of this figure, all are subject to figures in the drawing. Contractor must be in the factory check digital standards shown in figure, if found any contradiction, shall immediately notify the designer, must be approved by the relevant departments for approval before construction, otherwise adverse and all consequences are part of the design.

Project Name

LCD electronic display screen project

Drawing Name

MPV2 series product outline drawings

Sheet No

FA01

Project Number

2025XXXX

unit

mm

Designed By

All en

Draw Chart

All en

Revision By

Checked By

Phase

FA

Drawing Date

2025-3-14

Scale

1:8

REVISIONS

V1.0